

VARIABLE AREA FLOW METER

KF800 SERIES

Flow Measurement

& Monitoring



FEATURES

- ✓ Suitable for liquids and gases
- ✓ High pressure proof
- ✓ High temperature proof
- ✓ High precision
- ✓ Wide application
- ✓ User friendly, easy maintenance
- ✓ High / low alarm contact

DESCRIPTION

The KF800 series of variable area flowmeter is intended for measuring and monitoring fluid or gases media of any type.

KF800 series metallic rotameter operates according to the proven variable area flowmeter with simple structure, work reliable, wide application, high precision, and convenient installation. This series of all stainless steel flowmeter provide with scale in local field display. Additionally, it can also be equipped with contacts or an analogue output 4-20mA signal output, totalizer with flow rate LCD display and restrict alarm. It is suitable for chemical industry, petroleum, metallurgy, power plant, environmental protection, medical science and many others.

TECHNICAL FEATURES

Diameter	DN15 - DN150
Tube material	SS304 / SS316L
Display Indicator	Flow rate field display Flow rate field display with 4-20mA output Totalizer with flow rate LCD display, 4-20mA output
Power Supply	24V DC (For LCD Display) Battery Type (Without 4-20mA)
Installation	Vertical/ Horizontal
Alarm Contact (Optional)	High / Low
Connection	Flange Type
Measuring Media	Fluids, Steam and Gases
Operating Range	Water 1 to 150000 L/H / Air 0.07 to 2500 Nm ³ /h
Accuracy	Class 2.5
Protection	IP66
Max Pressure	Standard DN15 - DN80: 40 Bar DN100 - DN150: 16 Bar Special DN15 - DN50: 25 Bar DN80 - DN150: 16 Bar

I-SYSTEM MEASUREMENT
www.ismesb.com



VARIABLE AREA FLOW METER
KF800 SERIES

09-2021

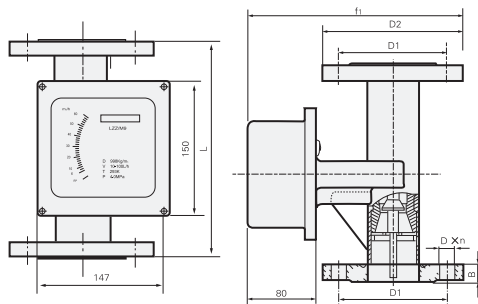
I-SYSTEM

109005

I-SYSTEM

109/005

DIMENSION/DRAWING



DN (mm)	L	B	D1	D2	f1
15	250	14	65	95	208
25	250	18	85	115	218
40	250	20	110	150	233
50	250	22	125	165	240
80	250	24	160	200	258
100	250	26	180	220	268
150	300	28	240	285	300

DN (mm)	Measuring Range		
	Water (L/H)		Air (Nm ³ /h)
	Normal Type	Corrosion-Proof Type	Normal / Corrosion-Proof
15	2.5 - 25	/	0.07 - 0.7
	4.0 - 40	2.5 - 25	0.11 - 1.1
	6.3 - 63	4.0 - 40	0.18 - 1.8
	10 - 100	6.3 - 63	0.28 - 2.8
	16 - 160	10 - 100	0.48 - 4.8
	25 - 250	16 - 160	0.7 - 7
	40 - 400	25 - 250	1.0 - 10
	63 - 630	40 - 400	1.6 - 16
25	63 - 630	40 - 400	1.6 - 16
	100 - 1000	63 - 630	3 - 30
	160 - 1600	100 - 1000	4.5 - 45
	250 - 2500	160 - 1600	7 - 70
	400 - 4000	250 - 2500	11 - 110
50	630 - 6300	400 - 4000	18 - 180
	1000 - 10000	630 - 6300	25 - 250
	1600 - 16000	1000 - 10000	40 - 400
80	2500 - 25000	1600 - 16000	70 - 700
	4000 - 40000	2500 - 25000	100 - 1000
100	6300 - 63000	4000 - 40000	160 - 1600
	10000 - 100000	6300 - 63000	250 - 2500
125	12000 - 120000	/	/
150	15000 - 150000	/	/

