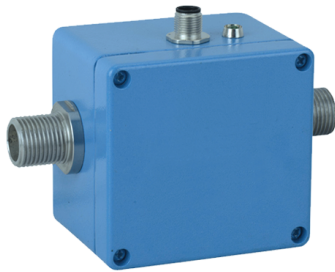


ELECTROMAGNETIC FLOW METER

KF700M SERIES - MINI ELECTROMAGNETIC TYPE

Flow Measurement

& Monitoring



DESCRIPTION

KF700M series Magnetic Inductive Flowmeter operates according to the principle of induction cater for low flow. There are no moving parts, no mechanical wear and tear, compact size design and easy for installation. It is an alternative of paddle wheel flowmeter when measuring chemical usage or fluid with conductive. Suitable for continuously flow measurement on wide range of applications. Regarding flow proportional output signals, two options are available depending on model selection, frequency output signal or analogue and frequency output signal. Pulse rate can be pre-configured at factory for any special flow measurement.

FEATURES

- ✓ Whole welded structure
- ✓ Good sealing performance
- ✓ Zero-point stability
- ✓ Small power consumption
- ✓ Simple and reliable, no moving parts inside; virtually no pressure loss
- ✓ Low-frequency square wave, anti-jamming performance
- ✓ User friendly, easy maintenance.

TECHNICAL FEATURES

Diameter	DN2 - DN25
Electrode	316L / Hc / Ti
Medium	Conductive liquids
Conductivity	$\geq 5\mu\text{s/cm}$, softener water $\geq 20\mu\text{s/cm}$
Accuracy	$\pm 2\%$ R.S
Op Temperature	-10 to 60°C
Op Pressure	6 - 10 Bar
Protection class	IP65
Output	4-20mA / Pulse Output
Power supply	24V DC
Installation type	Remote
Body Material	Aluminium
Connection	Thread / Flange / Tri-clamp
Connection Material	SS304 / SS316 / PVDF (Threaded)
Connector	M12 Plug

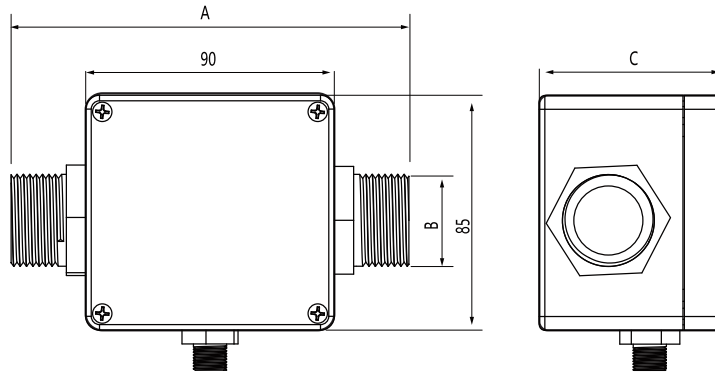
I-SYSTEM MEASUREMENT
www.ismesb.com



ELECTROMAGNETIC FLOW METER
KF700M SERIES - MINI ELECTROMAGNETIC TYPE
09-2023 I-SYSTEM 101010

I-SYSTEM
101/010

DIMENSION/DRAWING



DN (mm)	Flow Range (L/min)		Male (BSP)	A	C
	Standard	Special			
2	0.1 - 1	0.1 - 2	BSP 3/8"	130	67.5
3	0.2 - 2	0.2 - 4	BSP 3/8"	130	
4	0.4 - 4	0.4 - 8	BSP 3/8"	130	
6	0.8 - 8	0.8 - 16	BSP 3/8"	130	
8	1.5 - 15	1.5 - 30	BSP 1/2"	150	
10	2 - 20	2 - 40	BSP 1/2"	150	
15	5 - 50	5 - 100	BSP 1/2"	150	
20	9 - 90	9 - 180	BSP 3/4"	150	
25	15 - 150	15 - 300	BSP 1"	160	

I-SYSTEM MEASUREMENT
www.ismesb.com



ELECTROMAGNETIC FLOW METER
KF700M SERIES - MINI ELECTROMAGNETIC TYPE
09-2023 **I-SYSTEM** 101010

I-SYSTEM
101/010