

Ultrasonic flow-meter BAMOFLONIC - PFA



- 4 models ND 7 to ND 20
- Measuring ranges from 0.09 up to 120 l/min
- Wet parts in PFA; Casing in PP
- 1 Analogue output 0/4-20 mA
- 1 Digital output, to set up

APPLICATIONS

Flow measurements or dosing sequences of aggressive or neutral liquids:

- Chemicals strongly alkaline or acidic
- CIP (Clean In Place)
- Lixiviates, etc.

DESCRIPTION

BAMOFLONIC - PFA applies propagation ultrasonic waves principle to measure the speed of a liquid, then to calculate the corresponding flow-rate. Therefore, it is convenient for liquids electrically conductive or not.

Note: The liquid must be homogeneous and clear.

As no moving parts are concerned, BAMOFLONIC operates without mechanical wear. Wet parts are of PFA.

BAMOFLONIC - PFA can operate without its remote display unit. If liquid properties are different to water (viscosity, waves propagation, etc.), it is recommended to use the remote display unit. It allows to display and modify the flow-meter parameters (output signals, reset of totalizer, dosing function, etc.).

TECHNICAL FEATURES

Power supply	24 V DC / 3.6 W
Outputs	1 Digital output (to set as pulses or empty tube alarm, reverse flow, dosage, min. or max. flow-rate) 1 Analogue output 0/4-20 mA
Interface	For settings and/ or display on remote unit
Connector	M12, 5 pins (included)
Accuracy	± 2 % of reading and ± 0.3 mm/s
Repeatability	≤ 0.5 %
Liquid temperature	0... +60 °C
Pressure	6 bar at 20 °C
Protection	IP 65
Fittings	Quick coupling connectors (flare type, see the table)
Materials	Body: PFA (Perfluoralkoxy); Casing: PP

Options:

Digital input	To launch a dosage (Connector M12 8 pins)
Accuracy	± 1 % of reading and ± 0.3 mm/s

EC Conformity: The instrument meets the legal requirements of the current European Directives



Remote display unit for
BAMOFLONIC - PFA

BAMO INTERNATIONAL

22, Rue de la Voie des Bans · Z.I. de la gare · 95100 ARGENTEUIL

Tel +33 (0)1 30 25 83 20 Web www.bamo.eu

Fax +33 (0)1 34 10 16 05 E-mail export@bamo.fr

Ultrasonic flow-meter
BAMOFLONIC - PFA

12-07-2018

D-776.02-EN-AA

DEB

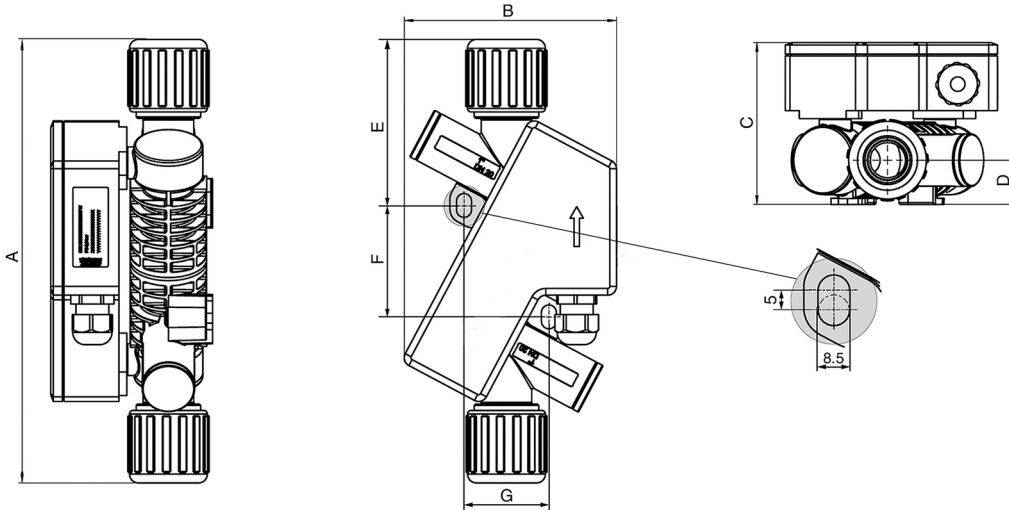
776-02/1

CODE NUMBERS AND REFERENCES

Code	Reference	ND	FLARE couplings	Range	
				l/min	l/h
776 008	BAMOFLONIC PFA DN7	7	3/8"	0.09 ... 6.00	5.4 ... 360
776 011	BAMOFLONIC PFA DN10	10	1/2"	0.3 ... 24	18...1440
776 016	BAMOFLONIC PFA DN15	15	3/4"	0.9 ... 60	54...3600
776 021	BAMOFLONIC PFA DN20	20	1"	1.2 ... 120	72...7200

On request: Low flow-rate, from 0.03 ... 6.0 l/min (ND 7 / raccord 3/8")

DIMENSIONS

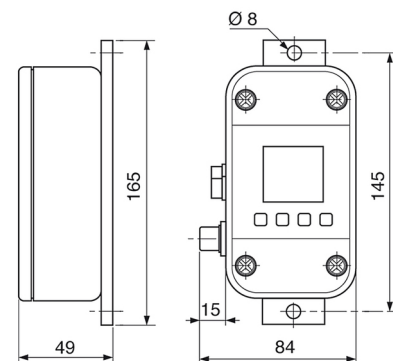


ND	Fittings	A [mm]	B [mm]	C [mm]	D [mm]	E [mm]	F [mm]	G [mm]	Mass [kg]
7	3/8"	218	120	79	16	77	63	48	1.3
10	1/2"	219.5	120	79	16	78.5	64	48	1.3
15	3/4"	227	120	82	19	82	64	48	1.3
20	1"	251	120	91.5	25	94	64	48	1.6

REMOTE DISPLAY UNIT

Code 776002
Reference Remote display for BAMOFLONIC - PFA

Housing IP 65; in PSU (Polysulfone),
 anodized aluminum wall bracket
 Power supply 18 ... 30 V DC, 3.6 W
 Connector M12; 5 pins
 Ambient temperature +5 ... +60 °C
 Storage temperature 0... +70 °C
 Display LCD; Backlighted
 Keypad 4 keys



EC Conformity: The instrument meets the legal requirements of the current European Directives

Remote display unit is supplied with a 5 m long cable (connector 5 pins fitted), a Te connector and an electric plug "Europlug" (5 pins connector). The set allows display and modification of settings of flow-meter, as well as recovering of output signals.

BAMO INTERNATIONAL

22, Rue de la Voie des Bans · Z.I. de la gare · 95100 ARGENTEUIL
 Tel +33 (0)1 30 25 83 20 Web www.bamo.eu
 Fax +33 (0)1 34 10 16 05 E-mail export@bamo.fr

Ultrasonic flow-meter
BAMOFLONIC - PFA

12-07-2018

D-776.02-EN-AA

DEB

776-02/2

776

776