

# Turbidity monitor BAMOPHAR 436



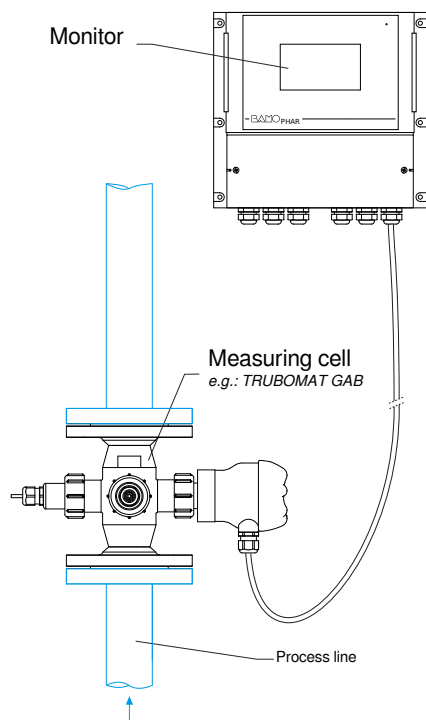
- Color touch screen
- Available scales:  
0.001 to 9999 FNU, FAU, NTU, mg/l, g/l
- 2 outputs 0/4-20mA (measurement & T. °C)
- 3 Independent relays
- 1 Relay for alarming function
- **OPTIONS:**  
RS 422 /J-BUS + LOGGER  
Extension terminal for a 2nd measurement parameter

## APPLICATIONS

Turbidity measurement for monitoring and processing water treatment:

- Monitoring of source or wells for drinkable water
- Monitoring of filtering diaphragms, ultra-pure water production plants, reverse osmosis plants
- Measurements in basins, decanting process
- Monitoring of clogging and rinsing of filtering units
- Monitoring of cooling towers
- Control of wastewater before discharge

Complete system (example)



## DESCRIPTION

BAMOPHAR 436 is equipped with a color touch screen to set up the configuration and to display the turbidity, temperature and state of thresholds. Copies of measurement are available on 2 outputs 4-20 mA.

BAMOPHAR 436 displays the turbidity value measured by one of our transmitters, to respond to process requirements.

- TURBICUBE in PVC or PPH and TRUBOMAT GAB in stainless steel, are dedicated to in-line measurement (see data-sheet 444-01 & 446-01)
- TURBISENS in PVC is an immersion probe with transmitter for measurements in tanks, basins, channels (See data-sheet 443-01).

A complete measuring system includes:

- One monitor BAMOPHAR 436
- One turbidity transmitter

### OPTION: Extension terminal for a second parameter

- Allows a second measurement (pH, Flow rate, Conductivity, etc.) (Configuration and display on the main unit)
- Connected to main unit with 2 x 2-wire shielded cable (Cable length between both devices: max. 500 m)
- RS422 and Data Logger of main unit are shared between both units
- Wall or panel or DIN rail mounting: according to the model

**BAMO** INTERNATIONAL

22, Rue de la Voie des Bans · Z.I. de la gare · 95100 ARGENTEUIL

Tel +33 (0)1 30 25 83 20 Web [www.bamo.eu](http://www.bamo.eu)

Fax +33 (0)1 34 10 16 05 E-mail [export@bamo.fr](mailto:export@bamo.fr)

Turbidity monitor  
**BAMOPHAR 436**

12-07-2018

D-436.02-EN-AD

**TUR**

**436-02/1**

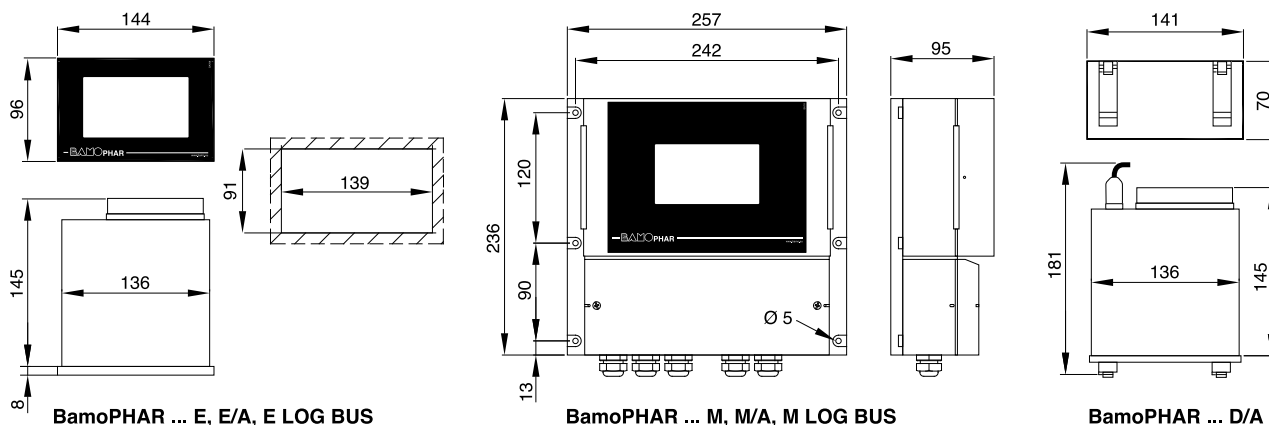
## TECHNICAL FEATURES

End-user interface	Color touch screen 4.3", resolution 480x272 pixels Display of measurements, menus, temperature, relay status Configuration - Keyword protected
Measuring scales	To set up according the turbidity transmitter in use (from 0.001 to 9999 FNU, FAU, NTU, mg/l, g/l)
Sensor signal input	For Turbidity transmitter 4-20 mA, 2-wire or 4-wire technique
Temperature display	Input signal for Pt 100 $\Omega$ 3-wire sensor, within the range 0 to 100 °C Or manually set up of operating temperature.
Relay outputs	4 contacts N.O., potential free
Configurable thresholds	2 Independent thresholds, for measurement or temperature 1 Independent threshold, for measurement or temperature or to external function 1 threshold for alarming function (Temperature sensor fault) or measurement out of range
Contact Initial resistance	100 m $\Omega$ max. (voltage drop 6 V DC 1 A)
Switching power	831 VA AC / 3 A / 277 V AC 90 W / 3 A / 30 V DC
Switching capacity (min.)	100 mA, 5 V DC (variable according to switching frequency, environmental conditions and accuracy).
Measurement output	0/4-20 mA (max. 600 $\Omega$ ) proportional to measurement
Temperature output	0/4-20 mA (max. 600 $\Omega$ ) within the range 0 to 100 °C
Main power supply	230 V - 50/60 Hz (others on request) - Consumption 10 VA
Models	Panel mounting, 96x144 mm; Front IP65; Rear IP4, screw terminals Wall mounting, IP65, cable glands
Storage	-10 ... +70 °C
Operating temperature	-5 ... +50 °C

### OPTION (RS 422 + Logger)

Interface	RS422 output, J-BUS link - Binary slave mode - 2400 to 9600 bauds Data Logger; Record of cycle average measurement - 150 000 records max. on memory card.
-----------	--

## DIMENSIONS



## CODE NUMBERS AND REFERENCES

Code	Reference	Description
436 400	BAMOPHAR 436 E	Panel mounting 96x144 mm - Front IP 65; Rear IP 40
436 401	BAMOPHAR 436 E/A	Panel mounting 96x144 m- Extension, blind monitor
436 403	BAMOPHAR 436 D/A	Rail mounting - Extension, blind monitor / IP40
436 450	BAMOPHAR 436 E LOG BUS	Panel mounting 96x144 m - RS422 + LOGGER - Front IP 65; Rear IP 40
436 500	BAMOPHAR 436 M	Wall mounting, IP 65, cable glands
436 501	BAMOPHAR 436 M/A	Wall mounting - Extension, blind monitor - IP 65, cable glands
436 520	BAMOPHAR 436 M LOG BUS	Wall mounting - RS 422 + LOGGER - IP 65, cable glands

**BAMO** INTERNATIONAL

22, Rue de la Voie des Bans · Z.I. de la gare · 95100 ARGENTEUIL  
Tel +33 (0)1 30 25 83 20 Web [www.bamo.eu](http://www.bamo.eu)  
Fax +33 (0)1 34 10 16 05 E-mail [export@bamo.fr](mailto:export@bamo.fr)

Turbidity monitor  
**BAMOPHAR 436**

12-07-2018

D-436.02-EN-AD

**TUR**

**436-02/2**