

**GA24V Series - Glass Rotameter****& Monitoring****DESCRIPTION**

GA24V series glass rotameter with safety cover of special laminated glass, with high safety factor, and easy to replace glass tube and float.

**FEATURES**

- ✓ Maximum temperature: 120°C
- ✓ Accuracy: ±2.5%
- ✓ Standard material: 304SS

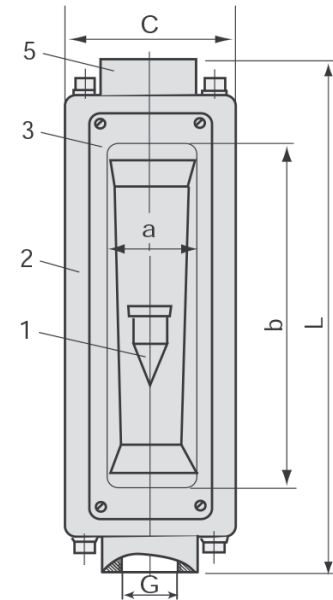
**TECHNICAL FEATURES**

DN (mm)	Model	Measuring Range		Working Pressure (Mpa)	Temperature
		Water (L/h)	Air (m <sup>3</sup> /h)		
15	GA24V-15 GA24V-15F	4-40	0.12-1.2	≤1.0	-20 to 120°C
		6-60	0.3-3		
		10-100	0.5-5		
		16-160	0.8-8		
		25-250	1.2-12		
		40-400	2-12		
25	GA24V-25 GA24V-25F	63-630	2-20	≤1.0	
		100-1000	3-30		
		160-1600	5-50		
		250-2500	8-80		
40	GA24V-40 GA24V-40F	160-1600	5-50	≤0.9	
		250-2500	8-80		
		400-4000	12-120		
50	GA24V-50 GA24V-50F	400-4000	12-120	≤0.6	
		630-6300	20-200		
		1000-10000	30-300		
		4000-16000			



## DIMENSION/DRAWING

DN (mm)	Size				Weight (kg)
	Window Sizes (a x b)	L2	G (NPT/BSP)	C	
15	37 x 302	420	1/2"	80	3.8
25	52 x 294		1"	105	5.4
40	64 x 278		1 1/2"	125	8
50	94 x 266		2"	165	12.7



Unit in mm

## CODES AND REFERENCES

