



DESCRIPTION

Z-7000 series panel rotameter is used in small air flow and liquids. A panel rotameter is simple to install and maintain for an inline piping installation. The panel rotameter's body material is PC (polycarbonate), where the valve is optional.

Panel rotameter is a type of flow meter widely used and installed on single pipelines. They are ideal for industrial applications includes water and wastewater plants and production plants for general industries.

It has a linear scale, a wide measurement range, and low-pressure drop. The linear scale offers direct reading of the measured flow. The falling and rising action of the float is highly visible against a white background.

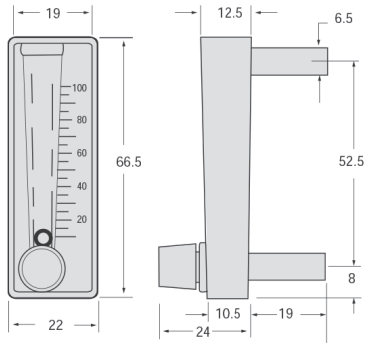
The body material is made of tough, clear, shatter-proof polycarbonate plastic around a precision tapered pin. The single piece plastic body is mounted to a stainless steel back bone into which pipe thread inserts are welded to absorb piping torque, precision metering valves of brass or stainless steel.

FEATURES

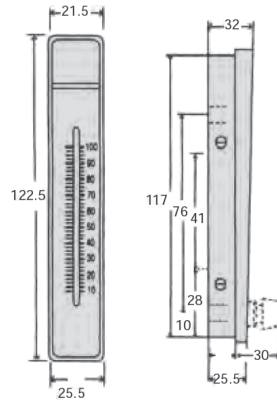
- ✓ Temperature limit: $\leq 60^{\circ}\text{C}$
- ✓ Working pressure: $\leq 0.6\text{MPa}$
- ✓ Accuracy: $\pm 5\%$
- ✓ Valve is optional



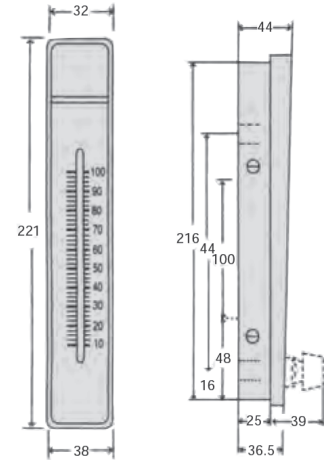
DIMENSION/DRAWING



Z-7001



Z-7002



Z-7003

Model	Measuring Range		Accuracy	Working Pressure	Temperature	Connection
	Water (L/min)	Air (L/min)				
Z-7001	0.1-1.1 0.25-2.5 0.3-3.5	0.05-0.5 0.1-1 0.5-5 2.5-25 5-50	±5%	≤0.6MPa	0-60°C	Ø6
Z-7002	1-1.5 1-2 1-3	0.5-5 1-10 5-25 7-70 5-50 10-100				¼ PT
Z-7003	1-4 1-7 1-9	10-100 15-150 20-140 20-200 30-300				¼ PT

