

VARIABLE AREA FLOW METER

Z-560 SERIES - POLYSULFONE ROTAMETER

Flow Measurement
& Monitoring



DESCRIPTION

Z-560 series is design in a durable injection molded Polysulfone tube which is chemical resistant. The rotameter operates according to the proven variable area principle. The PP float gets lifted by the flowing medium and indicates the flow with its upper edge on the scale attached to the device. The rotameter is calibrated based on water density. If float with integrated magnet is used, optionally, alarm contacts can be attached to the device. All devices possess union glue connection on the measuring tube. As an option, threaded fittings made of PVC can be supplied. The main areas of application are water treatment, effluent technology, chemical and food processing industries and many others.

FEATURES

- ✓ Chemical resistant Polysulfone
- ✓ Easy to read silkscreened scale
- ✓ Injection molded for liquid
- ✓ Simple and robust design with high operational safety
- ✓ Low pressure drop
- ✓ Easy to assemble
- ✓ Optional alarm contacts

TECHNICAL FEATURES

Range	Refer to table on next page
Float Material	PP
Tube Material	Polysulfone (PSU)
O-ring	Viton
Pressure	Max 10 Bar
Temperature	Max 60°C
Accuracy	±5% M.V
Mounting Position	Vertical, flow from bottom to top Upstream 10xDN, downstream 5xDN
Connection	Union ends to suit BS standard Threaded (optional)
Alarm Contact (optional)	High limit - KF951 Low limit - KF952

I-SYSTEM MEASUREMENT
www.ismesb.com



VARIABLE AREA FLOW METER
Z-560 SERIES - POLYSULFONE ROTAMETER
09-2021 I-SYSTEM 109036

I-SYSTEM
109/036

DIMENSION/DRAWING

DN (mm)	Model	Measuring Range		Glue (mm)	Male	Female	Elbow
		G/min	L/min				
15	KN-15-B-10	0.25 - 2.5	1 - 10	Ø20	¾" NPT ½" NPT	½" NPT ½" BSP	½" NPT ½" BSP
	KN-15-B-20	0.5 - 5	2 - 20				
	KN-15-B-25	0.7 - 7	2.5 - 25				
	KN-15-B-30	1 - 11	3 - 30				
	KN-15-B-40	/	4 - 40				
	KN-15-B-50	/	5 - 50				
	KN-15-B-60	/	6 - 60				
25	KN-25-B-40	1 - 10	4 - 40	Ø32	¾" NPT	¾" NPT ¾" BSP	¾" NPT ¾" BSP
	KN-25-B-50	1.2 - 12	5 - 50				
	KN-25-B-60	1.5 - 15	6 - 60				
	KN-25-B-80	/	8 - 80				
32	KN-32-B-60	1.5 - 15	6 - 60	Ø40	1" NPT	1" NPT 1" BSP	1" NPT 1" BSP
	KN-32-B-70	1.8 - 18	7 - 70				
	KN-32-B-80	2 - 20	8 - 80				
50	KN-50-B-100	2.5 - 25	10 - 100	Ø63	2" NPT	2" NPT 2" BSP	2" NPT 2" BSP
	KN-50-B-200	5 - 50	20 - 200				
	KN-50-B-250	7 - 70	25 - 250				
	KN-50-B-300	8 - 80	30 - 300				
	KN-50-B-500	/	50 - 500				
	KN-50-B-800	/	80 - 800				

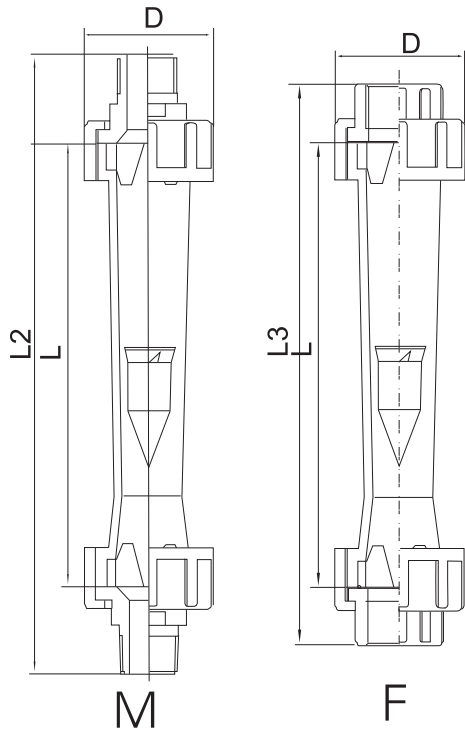
I-SYSTEM MEASUREMENT
www.ismesb.com



VARIABLE AREA FLOW METER
Z-560 SERIES - POLYSULFONE ROTAMETER
09-2021 I-SYSTEM 109036

I-SYSTEM
109/036

DRAWING / DIMENSION



DN (mm)	L (mm)	D (mm)	L2 Male (mm)	L3 Female (mm)
15	170	50	236	216
25	199	59	281	254
32	249	72	338	315
50	290	120	400	370

I-SYSTEM MEASUREMENT
www.ismesb.com



VARIABLE AREA FLOW METER
Z-560 SERIES - POLYSULFONE ROTAMETER
09-2021 I-SYSTEM 109036

I-SYSTEM
109/036