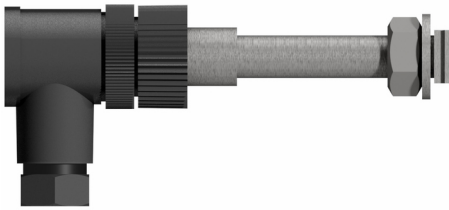


Limit value switches MSK1 / MSK12 / MSKW



- Bistable contacts N.C., N.O. or changeover
- Adjustable, easily
- Long lifetime
- Available for Hazardous Areas

APPLICATIONS

Limit value switches MSK1, MSK12 and MSKW allows the monitoring of measuring points all along the measuring range.

Compatibilities with:

- Variable area flowmeters: RA60 / FA60; RA65 / FA65; RA77 / FA77; RA87 / FA87 and SGK 1 - 3
- Bypass flowmeters: DST series
- Level indicators: NA and NA-V4A series

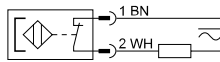
DESCRIPTION

The M8x1 threaded sleeve with its right angle connector includes a Reed contact. The switching behavior is made bistable by the built-in holding magnet. The contact is actuated when the magnetic float passes. The connection is done by a right angle plug in plastique PA/ PBT, with a 4-pin connector M12x1. Depending on the type of device, the contacts are positioned in a guiding groove or on a guiding rod. The contacts are adjustable over the entire measuring range. Flowmeters and level indicators can accommodate multiple contacts for monitoring the measuring points.

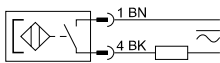
The different contacts:

- MSK1** Bistable contact, Normally Closed
MSK12 Bistable contact, Normally Open
MSKW Changeover contact

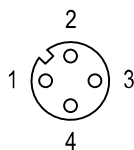
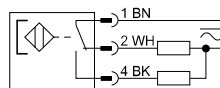
MSK1



MSK12



MSKW



Pins

BAMO INTERNATIONAL

22, Rue de la Voie des Bans · Z.I. de la gare · 95100 ARGENTEUIL

Tel +33 (0)1 30 25 83 20 Web www.bamo.eu

Fax +33 (0)1 34 10 16 05 E-mail export@bamo.fr

Limit value switches
MSK1 / MSK12 / MSKW

19-02-2021

D-727.90-EN-AA

DEB

727-90/1

TECHNICAL FEATURES

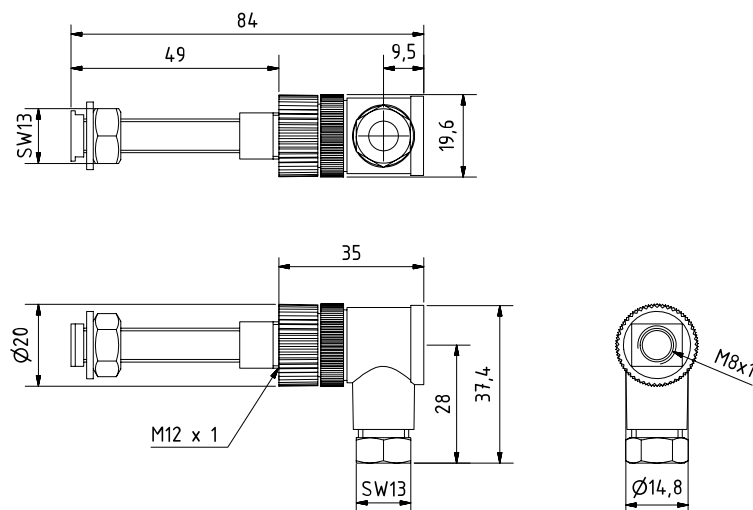
	MSK1	MSK12	MSKW
Function	Bistable NC	Bistable NO	Changeover
Max. voltage	50 V AC / 75 V DC	50 V AC / 75 V DC	50 V AC / 75 V DC
Max. current	0.5 A	0.5 A	0.5 A
Switching capacity	10 W/VA	10 W/VA	5 W/VA
Temperature ¹⁾	-20...+90 °C	-20...+90 °C	-20...+90 °C
Materials	Threaded sleeve: Nickel-plated CuZn Plug: Plastique, PA12-GF30		

¹⁾ The thermal endurance of the device is crucial.

Right angle plug, M12x1

Type	Female connector on angle plug M12x 1
Poles number	4 pins, A-coding
Electrical Contacts	metal, CuZn, optalloy-plated
Contact carriers	Plastic, PA, black
Grip	Plastic, PBT, black
Seal	FPM
Protection	IP67 (only tightened with screws)
Cable O.D.	4 ... 6 mm
Wires	Max. 0.75 mm ²
Screw-in thread	PG 7
Fitting mode	Screw clamp
Mechanical lifespan	min. 50 contact durability
Pollution degree	3
Rated voltage	Max. 250 V
Insulation resistance	≥ 108 Ω
Load capacity	4 A
Forward resistance	≤ 8 mΩ
Ambient temperature Connector	-25...+ 85 °C

DIMENSIONS



BAMO INTERNATIONAL

22, Rue de la Voie des Bans · Z.I. de la gare · 95100 ARGENTEUIL
 Tel +33 (0)1 30 25 83 20 Web www.bamo.eu
 Fax +33 (0)1 34 10 16 05 E-mail export@bamo.fr

Limit value switches
MSK1 / MSK12 / MSKW

19-02-2021

D-727.90-EN-AA

DEB

727-90/2