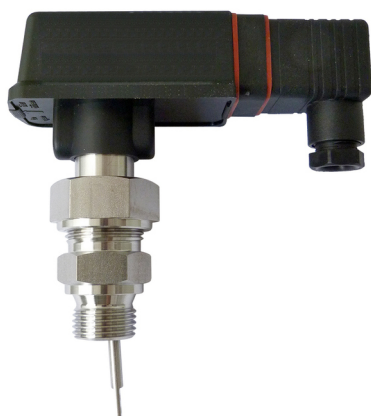


# Paddle flow controllers

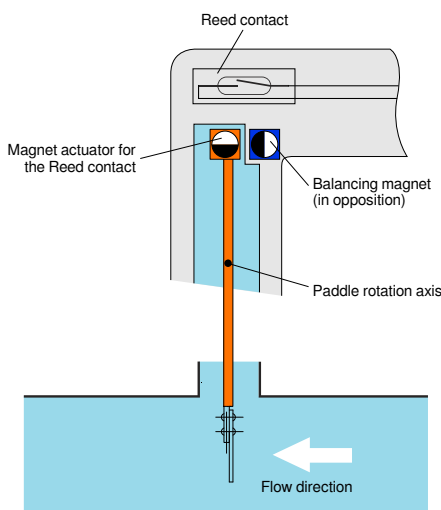
## CDP 57



CDP 57



Includes a set of 7 paddles



Operation

- For clear liquids
- Stainless steel or brass versions
- For pipes from ND 50 up to ND 200
- Mounting on-line, fitting with loose nut BSPF 1/2"

### APPLICATIONS

Detection of the presence or not of flow in a pipe under pressure. The liquid must be free of magnetic particles.

### DESCRIPTION

The flow of liquid drives the paddle which actuates a Reed contact via a magnet mounted on the top of the paddle.

A second magnet in opposition, pushes back the paddle when flow is decreasing. This design allows the controller to be mounted in any position.

#### Mounting precautions:

Mounting could be on a vertical pipe with ascending flow; Then, threshold value will be greater than the one of table.

The pipe slope of a flowing down piping must be less than 40 %.

#### Accessories:

An amplifier relay ES 2001 protect the Reed contact and allows a switching power of up to 500 VA / 250 V AC / 5 A - 1 A / 125 V DC / 40 W). (See data-sheet 250-02)

### TECHNICAL FEATURES

Materials	Body and fitting in AISI 316 Ti with FPM seals Body and fittings in brass with NBR seals
Fittings	Male thread BSP 1/2"
For pipes	From ND 50 up to ND 200 mm
Temperature limits	Liquid: -25 ... 110 °C Ambient: -25 ... 80 °C
Pressure limit	PN 25

#### Electrical Specifications :

Contact	N.O. or N.C. (according terminals)
Operation	Flow below the switching point: Open contact Flow over the switching point: Closed contact <i>Possibility to reverse the logic</i>
Current limit	Max. 1 A
Voltage limits	Max. 230 V AC, 48 V DC
Switching power	Max. 26 VA, 20 W
Switching point	± 15 % of table values
Protection	IP 65
Connector	Plug DIN EN 175301-803-A

**EC Conformity:** The instrument meets the legal requirements of the current European Directives.

### CODE AND REFERENCES

Code	Reference	Description
710 157	CDP 57 1/2"	Paddle flow controller, brass version
710 257	CDP 57 1/2"	Paddle flow controller, AISI 316 Ti

**BAMO INTERNATIONAL**

22, Rue de la Voie des Bans · Z.I. de la gare · 95100 ARGENTEUIL

Tel +33 (0)1 30 25 83 20 Web [www.bamo.eu](http://www.bamo.eu)

Fax +33 (0)1 34 10 16 05 E-mail [export@bamo.fr](mailto:export@bamo.fr)

**Paddle flow controllers**  
**CDP 57**

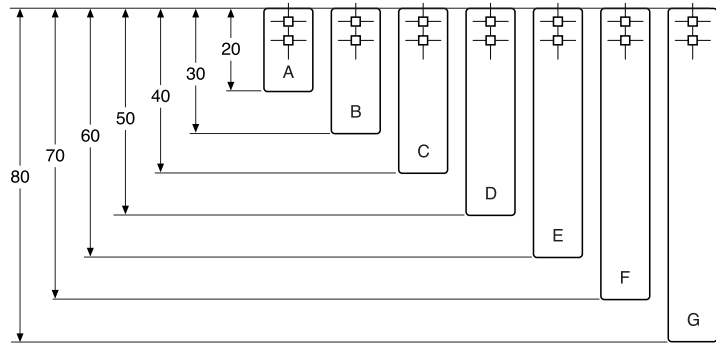
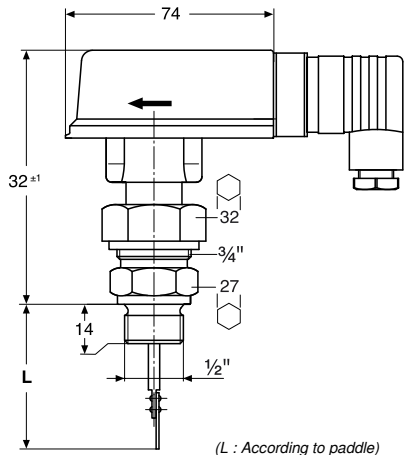
16-12-2019

D-710.02-EN-AC

**DEB**

**710-02/1**

## DIMENSIONS



## SWITCHING POINTS

Indicative values for water at 20 ° C (Horizontal piping).

Paddle	Dimensions	ND	Flow-rate / Switching point			
			Increasing flow-rate [m³/h]		Decreasing flow-rate [m³/h]	
A	20 x 12 mm	50	4.3	5.2	3.7	4.5
		60	6.4	7.4	5.6	6.6
		80	11.0	12.5	10.0	11.5
		100	14	19	13	18
		150	40	48	36	44
		200	-	100	-	90
B	30 x 12 mm	50	3.1	3.7	2.6	3.2
		60	5.2	6.0	4.5	5.2
		80	9.4	10.5	8.4	9.8
		100	12	14	10	12
		150	32	38	28	34
		200	-	80	-	70
C	40 x 12 mm	60	4.2	4.7	3.4	4.0
		80	8.0	9.1	7.0	8.1
		100	11	13	9	11
		150	28	34	24	32
		200	-	65	-	-
D	50 x 200 mm	80	6.8	7.8	5.8	7.8
		100	10.2	13.0	8.8	12.0
		150	24	28	20	24
		200	-	52	-	44
E	60 x 12 mm	80	6.0	7.0	5.0	6.2
		100	9.0	10.4	7.8	9.2
		150	20	24	16	20
		200	-	46	-	40
F	70 x 12 mm	100	8.0	9.4	6.8	8.2
		150	16	22	12	18
		200	-	42	-	34
G	80 x 12 mm	100	7.4	8.6	6.2	7.4
		150	12	20	10	16
		200	-	40	-	32

# BAMO

INTERNATIONAL  
 22, Rue de la Voie des Bans · Z.I. de la gare · 95100 ARGENTEUIL  
 Tel +33 (0)1 30 25 83 20 Web [www.bamo.eu](http://www.bamo.eu)  
 Fax +33 (0)1 34 10 16 05 E-mail [export@bamo.fr](mailto:export@bamo.fr)

**Paddle flow controllers**  
**CDP 57**

16-12-2019

D-710.02-EN-AC

**DEB**

**710-02/2**