

# Flow indicator OPTIFLUX ECFV



- Direct view of the flow of a liquid
- Vertical or horizontal mounting
- Ranges up to 60 l/min
- Fittings: 1/4" ... 1" BSP F.
- Body: Nickel-plated brass

## APPLICATIONS

- Checking directly the circulation of a liquid
- Well adapted to piping with clean liquids, lubricating fluids, in heating and cooling systems, industrial water plants.

## DESCRIPTION

With its turbine, OPTIFLUX ECFV shows the circulation of a liquid through the transparent glass tube. For flow rates above the last half of the range, the indicator can be mounted either horizontally or vertically. For lower flow rates (first half of range) vertical mounting is recommended with rising fluid.

## TECHNICAL FEATURES

Range	1 ... 60 l/min (See the table below)
Temperature	-10 ... +90 °C
Pressure limits	Up to 5 ... 10 bar according the model
Fittings	BSP-F from 1/4" up to 1"

### Materials:

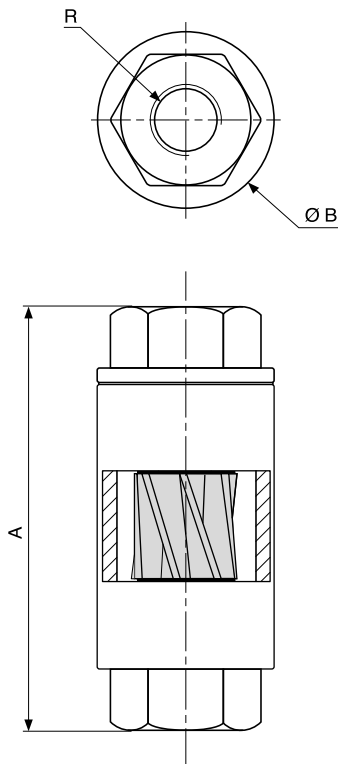
Body	Nickel-plated brass
Turbine	Hostaform (red)
Transparent tube	Borosilicate glass
Seals	Nitrile rubber

## CODE NUMBERS AND REFERENCES

Code	Reference	Flow range [l/min]	Pressure max. [bar]
719 150	ECFV 1BV	1...10	10
719 155	ECFV 2BV	2...20	8
719 160	ECFV 3BV	3...30	
719 165	ECFV 4BV	4...40	5
719 170	ECFV 5BV	6...60	

## DIMENSIONS

Reference	Fitting threads	A [mm]	Ø B [mm]	Mass [g]
ECFV 1BV	BSP-F 1/4"	59	25	125
ECFV 2BV	BSP-F 3/8"	71	30	130
ECFV 3BV	BSP-F 1/2"			160
ECFV 4BV	BSP-F 3/4"	106	47	675
ECFV 5BV	BSP-F 1"			572



**BAMO** INTERNATIONAL

22, Rue de la Voie des Bans · Z.I. de la gare · 95100 ARGENTEUIL  
 Tel +33 (0)1 30 25 83 20 Web www.bamo.eu  
 Fax +33 (0)1 34 10 16 05 E-mail export@bamo.fr

Flow indicator  
**OPTIFLUX ECFV**

20-11-2020

D-719.02-EN-AD

**DEB**

719-02/1