

# Viscosity compensated flow controller/ indicator DKG



- Operates in all positions
- Indicator, plus 1 adjustable contact
- Stainless steel and brass versions
- Pressure up to 16 bar
- Viscosity: 30 ... 600 cSt
- Flow ranges from 0.1 up to 90 l/min

## APPLICATIONS

Control and reading of flow-rate in lubrication pipings or in any compatible skids.

## DESCRIPTION

The DKG monitors and visualizes the flow in pipe of a fluid free of suspended particles, having a viscosity of between 30 and 600 cSt.

### Operation:

The liquid drives a magnetic orifice plate inside the cylindrical measuring tube. A spring balances its movement and allows to operate in all positions. The plate is visible through the glass tube graduated in litre per minute. An adjustable Reed contact changes of status with the passage of the magnetic orifice plate.

With these equipments, the DKG operates independently of the pressure, even with low flow-rates.

## TECHNICAL FEATURES

Pressure limits	DKG 1: 10 bar DKG 2: 16 bar
Temperature limits	DKG 1: -20 ... 100 ° C (Option 160 ° C) DKG 2: -20 ... 120 ° C (Option 160 ° C)
Scales unit	l/min of lubricating oil; S.G. 0.9
Viscosity	30 ... 600 cSt
Accuracy	±10 % F.S.
Pressure loss	DKG 1: 0.02 ... 0.4 bar DKG 2: 0.02 ... 0.2 bar
Flow contact	N.O. without flow
Hysteresis	About 1.5 mm
Connector	DIN 43650 plug-in socket; IP 65

### Brass version

Body	Anodized aluminum
Fittings, orifice plate	Nickel-plated brass
Spring	AISI 316 Ti (1.4571)
Seals	FPM
Magnet	Ferrite
Measuring tube	Glass DURAN® 50

### Stainless steel version

Body	Anodized aluminum
Fittings, orifice plate, spring	AISI 316 Ti (1.4571)
Seals	FPM
Magnet	Ferrite
Measuring tube	Glass DURAN® 50

*Other versions: On request*

**EC Conformity:** The instrument meets the legal requirements of the current European Directives

# BAMO INTERNATIONAL

22, Rue de la Voie des Bans · Z.I. de la gare · 95100 ARGENTEUIL

Tel +33 (0)1 30 25 83 20 Web [www.bamo.eu](http://www.bamo.eu)

Fax +33 (0)1 34 10 16 05 E-mail [export@bamo.fr](mailto:export@bamo.fr)

Viscosity compensated flow  
controller/ indicator  
**DKG**

06-12-2019

D-724.01-EN-AA

**DEB**

**724-01 /1**

## SWITCH FEATURES

Adjustment: The housing slides along the body for threshold adjustment; 2 screws fix safely the setting.

### Standard supply N.O. contact with no flow:

230 V / 3 A / 60 VA for DKG-2/2 ... -2/8

250 V / 3 A / 100 VA for DKG-1 ... DKG-90

### Option: Changeover contact

250 V / 1.5 A / 50 VA

### Options: Contacts Ex in correspondance with ATEX directives

Only for model DKG-1 to DKG-90

ATEX II 2 G Ex mb II T6 & ATEX II 2 D Ex tD A21 IP67 T80 °C

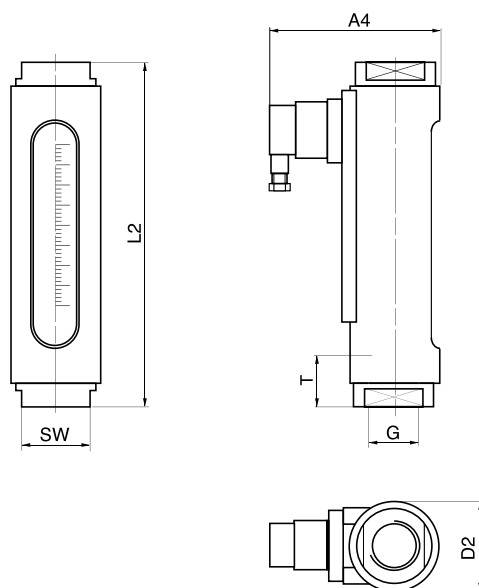
ATEX II 2 G Ex mb II T5 & ATEX II 2 D Ex tD A21 IP67 T100 °C

N.O. contact: 250 V / 2 A / 60 VA ; Changeover contact: 250 V / 1 A / 30 VA

## CODE NUMBERS, REFERENCES AND DIMENSIONS

Code		Reference	Flow range [ l/min ]	Fittings BSPF R	Dimensions [ mm ]					Mass [g]
Brass	AISI 316				D2	L2	A4	T	SW	
724 105	724 205	DKG - 2/2	0.5 ... 1.7	1/2" G	32	114	70	14	27	300
724 107	724 207	DKG - 2/4	1.3 ... 4							
724 109	724 209	DKG - 2/8	2.5 ... 8							
724 120	724 220	DKG - 1	0.1 ... 0.8	3/4" G	50	138.5	104	15	41	850
724 123	724 223	DKG - 2	0.5 ... 1.5							
724 126	724 226	DKG - 4	1...4							
724 129	724 229	DKG - 8	2...8							
724 131	724 231	DKG - 10	3...10							
724 133	724 233	DKG - 15	5...15							
724 135	724 235	DKG - 24	8...24							
724 137	724 237	DKG - 30	10...30							
724 139	724 239	DKG - 45	15...45	1" G	50	158.5	104	17	41	900
724 141	724 241	DKG - 60	20...60							
724 143	724 243	DKG - 90	30...90							

On request, the models with fittings 3/4" are available with thread 1" or vice versa, excepted of DKG-60 and DKG-90.  
Flow-rates above are for oil ISO VG 46 (124 cSt at 20 °C).



# BAMO INTERNATIONAL

22, Rue de la Voie des Bans · Z.I. de la gare · 95100 ARGENTEUIL

Tel +33 (0)1 30 25 83 20 Web [www.bamo.eu](http://www.bamo.eu)

Fax +33 (0)1 34 10 16 05 E-mail [export@bamo.fr](mailto:export@bamo.fr)

Viscosity compensated flow  
controller/ indicator

## DKG

06-12-2019

D-724.01-EN-AA

DEB

724-01 /2