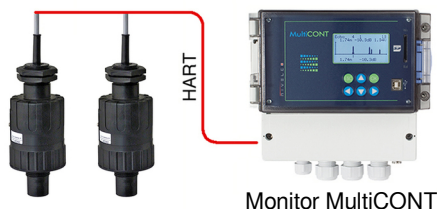


Ultrasonic level transmitter EasyTREK

- Height range 0.15 to 18 m, for liquids
- Non-contact level measurement
- HART® 7 protocole
- Output signal 4-20 mA
- IP 68 (allows accidental immersion)



EasyTREK SP_5..



Monitor MultiCONT

APPLICATIONS

The EasyTREK allows continuous measurement of a liquid level (storage tanks, Venturi channels, weirs, sewage pumping stations, storm receivers, etc.).

DESCRIPTION

EasyTREK is a high performance ultrasonic transmitter with integrated electronics into the housing.

Positioned above the surface of the liquid to measure, the transmitter provides a signal proportional to the liquid level. The sensor is set up via the HART protocole.

For multiple tank applications, EasyTREK may be operated via ancillary control systems compatible with this protocol HART 7 (examples: multichannel MultiCONT or PC or PLC). The MULTICONT can manage up to 15 transmitters EasyTREK. Data transmission is then possible through the RS485 interface of display unit (data-sheet 225-01).

Setting features with HART modem:

- Range scaling (4-20 mA and default error current)
- Measurement settings (Unit, function, echo(es))
- Measuring sequence optimization (delay, speed ...)
- Choice between 14 shapes of tanks and containers
- Choice between 21 types of open channels
- Linearization through 32 points
- Information and diagnostics on signal status

TECHNICAL FEATURES

Housing	PP or PVDF (Option: PP/PTFE)
Liquid temperature	-30 ... +90 °C
Ambient temperature	-30 ... +80 °C
Pressure	-0.5 ... 2 barg
Protection	IP 68
Accuracy	± (0.1 % of measurement + 0.025 % of range scale) <i>Within optimal operating conditions and stabilized temperature of the transmitter.</i>
Resolution	According the measured height: < 2 m: 1 mm; 2...5 m: 2 mm; 5...10 m: 5 mm; >10 m: 10 mm
Full beam angle	5° to 7° according the model
Power supply	11 ... 36 V DC
Output signal	Analogue 4-20 mA
Relay (option)	1 contact, change-over; 30 V DC, 1 A DC
Set up	Through protocole HART® 7
Electrical protection	Classe III
Output cable	Type LiYCY, Ø 6 mm, shielded, 2 x 0,5 mm ² Standard: 5 m long (on request up to 30 m)
ATEX version	On request

EC Conformity: The instrument meets the legal requirements of the current European Directives.

CODE NUMBERS AND REFERENCES

Code **598 000**
Reference **SPx-5xx-x**

Transmitter

Material

- A** PP
- B** PVDF
- T** PTFE (only for models SP...-59/58/57)

Measuring range

- 5A** 0.15 to 3 m (120 kHz; Fitting 1"; Angle 5°)
- 59** 0.18 m to 5 m (80 kHz; Fittings 1" or 1 1/2"; Angle 6°)
- 58** 0.20 m to 8 m (80 kHz; Fittings 2" or 1"; Angle 5°)
- 57** 0.25 m to 10 m (60 kHz; Fittings 2" or 1"; Angle 7°)
- 56** 0.25 m to 12 m (60 kHz; Fitting 1"; Angle 5°)
- 54** 0.35 m to 18 m (40 kHz; Fitting 1"; Angle 5°)

Fittings

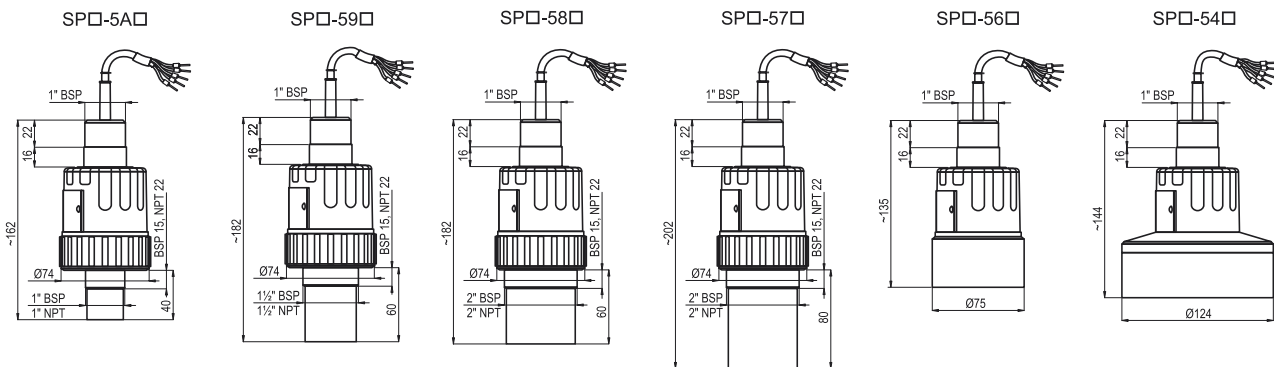
- 0** Male threads BSP 1"; 1 1/2"; 2"
- N** Male threads NPT 1 1/2" or 2"
(or 1" BSP only on versions SP...-59/58/57)

Outputs

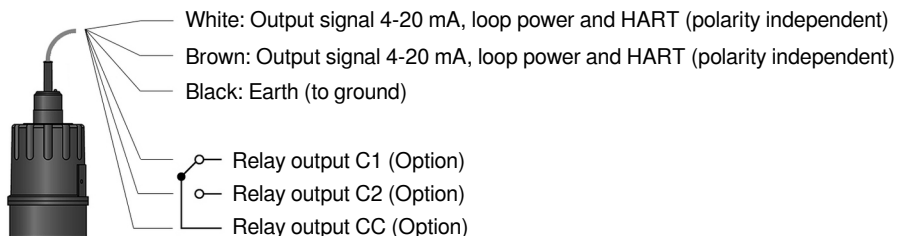
- 4** 4-20 mA + HART
- 8** 4-20 mA + HART / Ex ia
- H** 4-20 mA + HART + Relay

EasyTREK SP

DIMENSIONS



CONNECTIONS



BAMO INTERNATIONAL

22, Rue de la Voie des Bans · Z.I. de la gare · 95100 ARGENTEUIL
Tel +33 (0)1 30 25 83 20 Web www.bamo.eu
Fax +33 (0)1 34 10 16 05 E-mail export@bamo.fr

Ultrasonic level transmitter
EasyTREK

11-04-2019

D-598.01-EN-AA

NIV

598-01 /2

598

598