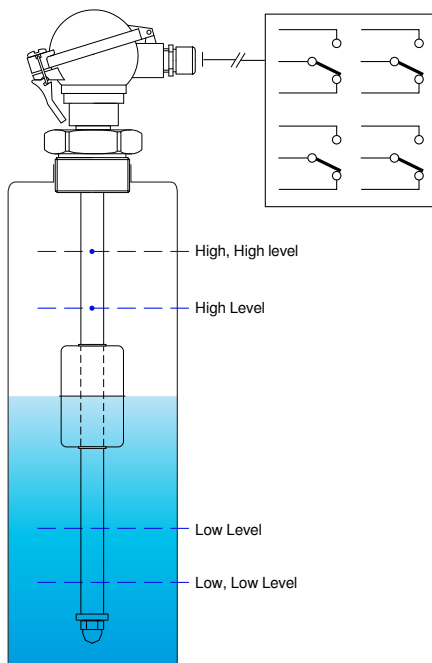


Magnetic level controllers in stainless steel

MNR 7 - I



Avec l'option bride DN 100



Example: In operation

- AISI 316 L version
- 1 to 4 changeover bistable contacts
- No effects of foam, neither of vapours
- Compatible with RTM:
Reed-Chain with analogue output signal
(data-sheet 586-01)

APPLICATIONS

- Level detection on liquids compatible with stainless steel
MNR 7-I is suitable for liquids, not viscous, not clogging and free of suspended solid particles.

DESCRIPTION

The Reed contacts inside the stem are actuated when the magnetic float passes in front of; Detection of up to 4 thresholds.

The contacts are changeover and bistable: status reverses only when the float passes again in front of.

Terminals are in an aluminum housing, IP 65 (cable gland M20 x1.5); Wiring diagram is shown on the board inside. A nut limits the float movement at the stem end: by unscrewing the nut, the float is easily removed.

Tip: The 2" connection model with Ø 52 mm float and the DN 100 flange option, allow direct installation without removing the float.

TECHNICAL FEATURES

Stem height	Min. 250 mm / Max. 3,000 mm
Liquid density	Min. 0.75: Float O.D. 91 mm; Min. 0.85: Float O.D. 52 mm
Pressure limit	Max. 25 bar at 20 °C
Ambient temperature	-20 ... +70 °C
Operating temperature	-10 ... +100 °C
Reed contacts	Changeover and bistable
Switching power	60 VA / 220 V / 0.5 A
Shortest gap	100 mm between 2 contacts
Accuracy	±2 mm
Hysteresis	8 mm
Floats	Ø 52, height 88 mm; Density: Min. 0.85 Ø 91, height 110 mm; Density: Min. 0.75)
Upper dead zone	≥ 50 mm with float Ø 52 ≥ 75 mm with float Ø 91
Lower dead zone	≥ 85 mm with float Ø 52 ≥ 80 mm with float Ø 91
Connections	Aluminum head housing, painted, IP 65 Cable gland M20 x1.5 (for cables Ø 5 ... 9 mm)
Fittings	BSP 1/2" BSP 2" Option: Flange ND 100

Materials

Stem	AISI 316 L (DIN 1.4404)
Float	AISI 316 Ti (DIN 1.4571)
Fittings	AISI 316 Ti (DIN 1.4571)
Flange	AISI 316 L (DIN 1.4404)

EC Conformity: The instrument meets the legal requirements of the current European Directives.

BAMO INTERNATIONAL

22, Rue de la Voie des Bans · Z.I. de la gare · 95100 ARGENTEUIL
 Tel +33 (0)1 30 25 83 20 Web www.bamo.eu
 Fax +33 (0)1 34 10 16 05 E-mail export@bamo.fr

Magnetic level controllers in
stainless steel
MNR 7 - I

27-02-2020

D-550.02-EN-AA

NIV

550-02/1

CODE NUMBERS AND REFERENCES

Code	Description
550 401	MNR 7 - I; AISI 316; length 500 mm; fitting BSP 1/2" - 1 contact
550 402	MNR 7 - I; AISI 316; length 500 mm; fitting BSP 1/2" - 2 contacts
550 403	MNR 7 - I; AISI 316; length 500 mm; fitting BSP 1/2" - 3 contacts
550 404	MNR 7 - I; AISI 316; length 500 mm; fitting BSP 1/2" - 4 contacts
550 410	Extra cost for each 100 mm above 500 mm
550 421	MNR 7 - I; AISI 316; length 500 mm; fitting BSP 2" - 1 contact
550 422	MNR 7 - I; AISI 316; length 500 mm; fitting BSP 2" - 2 contacts
550 423	MNR 7 - I; AISI 316; length 500 mm; fitting BSP 2" - 3 contacts
550 424	MNR 7 - I; AISI 316; length 500 mm; fitting BSP 2" - 4 contacts
550 430	Extra cost for each 100 mm above 500 mm
Spare parts for MNR 7 - I	
550 050	Bistable changeover contact 60 VA (cable output 500 mm)
550 411	Float for MNR 7 - I, AISI 316 Ti, Ø 91 mm
550 ____	Float for MNR 7 - I, AISI 316 Ti, Ø 52 mm)
Option: DN 100 Flange for MNR 7 - I with fitting BSP 1/2"	
550 419	ISO Flange ND 100 type; threaded bore BSP 1/2"

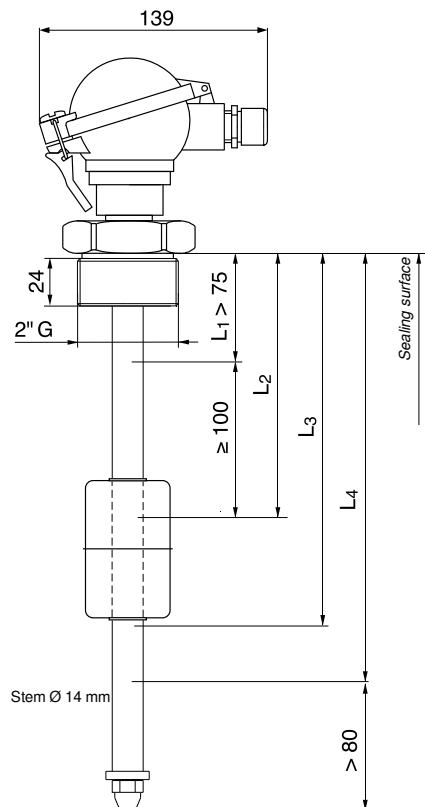
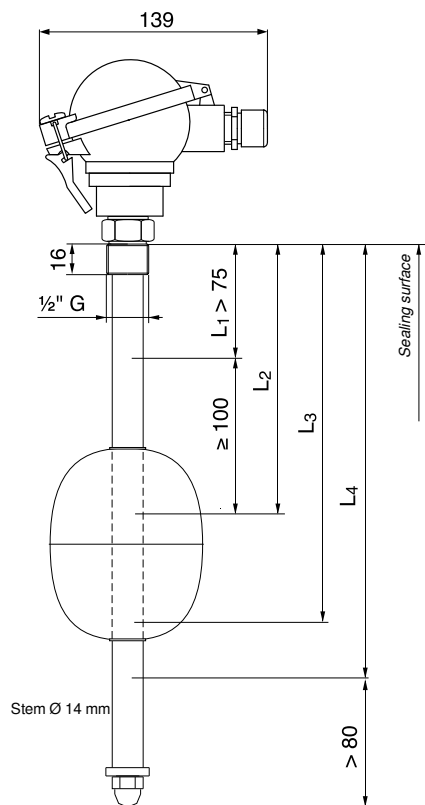
ORDERING INFORMATION

Operating conditions:

Liquid
 Density
 Pressure Max. bar
 Operating temperature °C

Trigger point distances

L1 = mm L2 = mm L3 = mm L4 = mm



BAMO INTERNATIONAL

22, Rue de la Voie des Bans · Z.I. de la gare · 95100 ARGENTEUIL
 Tel +33 (0)1 30 25 83 20 Web www.bamo.eu
 Fax +33 (0)1 34 10 16 05 E-mail export@bamo.fr

Magnetic level controllers in
 stainless steel
MNR 7 - I

27-02-2020

D-550.02-EN-AA

NIV

550-02/2