

# Continuous level transmitter RTM



- Output signal: or 4-20 mA or resistor
- Customized models
- Direct mounting on top of a tank
- Direct mounting on MAGTOP and SFA series

## APPLICATIONS

- Continuous level measurement on containers

## DESCRIPTION

The RTM transmitter consists of a Reed chain (REED contacts connected by resistors) switching when magnetic float passes in front. The resulting resistor value is directly in correspondence with the level. The necessary magnetic field is created by the MNR 6/7, MAGTOP floats or SFA counterweight.

The T2F transmitter in the head converts the resistor value into a 4-20 mA signal.

Manufactured according to your application; Installation and commissioning are simplified on site (factory calibration).

Measurement display: The RTM may be connected to a BAMOWIZ (data-sheet 217-01) or to an ITU unit (data sheet 222-03).

## TECHNICAL FEATURES

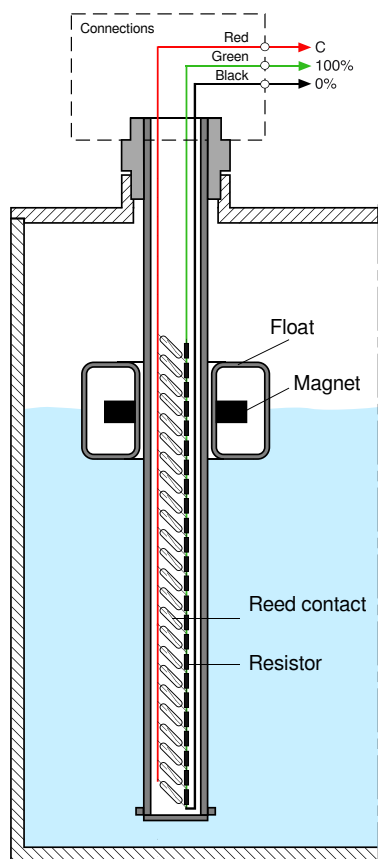
Measuring height	From 250 mm up to 2,000 mm <i>See table "Codes and References"</i>
Temperature	PVC-U: 0 ... +50 °C; PPH: 5 ... +80 °C PVDF: 0 ... +100 °C; AISI 316L: -10 ... +110 °C
Pressure	1 bar max. at 20 °C for plastic versions 20 bar max. at 20 °C for AISI 316L version

### Materials:

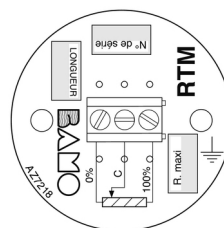
Stem and fitting	PVC, PP, PVDF, or AISI 316L
Float	PP, PVDF, or AISI 316L
Head housing	PBT for plastic versions, IP65 Aluminum for AISI 316L version, IP65

### Output signal:

Resistor output	from * xΩ to 10 kΩ
2-wire transmitter	4-20 mA; Power supply: 13 ... 30 V DC
Accuracy	By steps of 10 mm (resolution)



Principle



PCB: Potentiometric output

# BAMO INTERNATIONAL

22, Rue de la Voie des Bans · Z.I. de la gare · 95100 ARGENTEUIL  
Tel +33 (0)1 30 25 83 20 Web [www.bamo.eu](http://www.bamo.eu)  
Fax +33 (0)1 34 10 16 05 E-mail [export@bamo.fr](mailto:export@bamo.fr)

## Continuous level transmitter RTM

12-02-2020

D-586.01-EN-AB

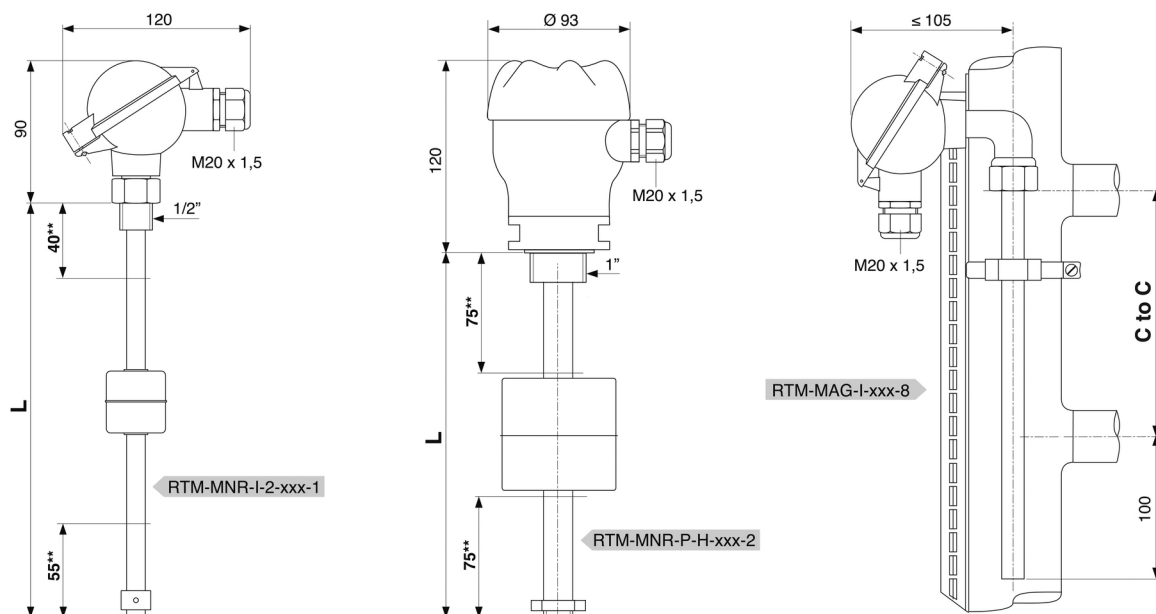
NIV

586-01 /1

## CODE NUMBERS AND REFERENCES

Code	Reference	Materials		Measuring distance (L)* [mm]	
		Stem and fitting	Float	Min.	Max.
586 051	RTM/MNR 6/I	AISI 316 L	AISI 316 L	500	1000
586 101	RTM/MNR 7/PVC	PVC	PP	250	1500
586 201	RTM/MNR 7/PP	PP	PP	250	1500
586 301	RTM/MNR 7/PVDF	PVDF	PVDF	250	1500
586 401	RTM/MNR 7/I	AISI 316 L	AISI 316 L	250	2000
586 501	RTM/MAG/SFA	AISI 316 L	-	<i>For MAGTOP or SFA equipment</i>	
Accessories					
601 333	T2FR-5333	2-wire transmitter; 4-20 mA			
600 002	MONT-T2F	Calibration and mounting of T2F on RTM			

## DIMENSIONS



Measuring height = (Total height L) - (Sum of dead zones) \*\*

# BAMO INTERNATIONAL

22, Rue de la Voie des Bans · Z.I. de la gare · 95100 ARGENTEUIL

Tel +33 (0)1 30 25 83 20 Web [www.bamo.eu](http://www.bamo.eu)

Fax +33 (0)1 34 10 16 05 E-mail [export@bamo.fr](mailto:export@bamo.fr)

Continuous level transmitter  
**RTM**

12-02-2020

D-586.01-EN-AB

NIV

586-01 /2