

# Hydrostatic level transmitter, PVDF BAMONIV



- Level measurement of aggressive fluids
- Measuring cell: ceramic (96 %)
- Accuracy: 0.35 % F.S.
- Ranges from 0 ... 0.6 m up to 0 ...10 m WC
- Fitting 1 1/2" in PVDF

## APPLICATIONS

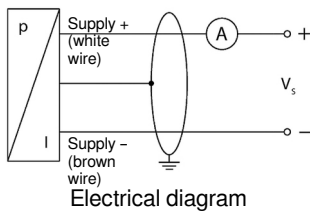
- Diesel, lubricating oils
- Viscous, pasty liquids
- Corrosive, acidic or basic liquids

## DESCRIPTION

BAMONIV is designed for level measurement on aggressive, viscous or contaminated liquids in non-pressurized tanks.

It operates according to the principle of hydrostatic pressure measurement. The pressure on the sensor increases proportionally with the depth of immersion. BAMONIV integrates ceramic cell and delivers a 4-20 mA signal proportional to the immersion depth.

To be mounted at the bottom of a non-pressurized tank, the BAMONIV comes with a connector or a PVC cable.

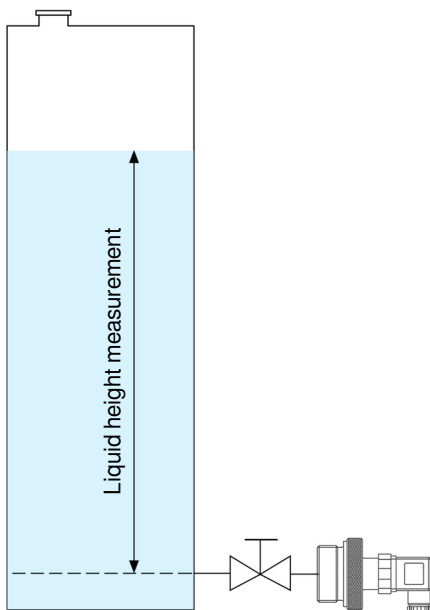


## TECHNICAL FEATURES

Measuring ranges	0... 0.6 /... / 0 ... 10 m WC
Long term stability	≤ ± 0,1 % FS / year
Accuracy	≤ 0.35 % FS
Measuring cell	Ceramic Al <sub>2</sub> O <sub>3</sub> 96 %
Fitting material	PVDF
Fitting type	BSP 1 1/2" - DIN 3852
Seal	FPM
Connection	Or through a connector ISO 4400, or cable output (2 m long)
Power supply	9 ... 32 V DC
Output signal	4...20 mA ; 2-wire
Load	At 20 mA, R <sub>max.</sub> = (Vs - Vs min.) / 0.02
Electrical protections	Reverse polarity, overload, short circuit
Emissions & interferences	In conformity with EN 61326
Response time	≤ 0.7 s
Overpressure	Less than 8 times the FS
Liquid temperature	-40 ...+125 °C
Temperature compensation	-20 ... + 80 °C
Temperature incidence	± 0.1 % FS /10 K
Ambient temperature	-40 ... + 85 °C (without connector or cable)
Storage temperature	-40 ...+100 °C (without connector or cable)
Mass	0.2 kg

**EC Conformity: The instrument meets the legal requirements of the current European Directives**

*For the electrical connection, a shielded and twisted multicore cable is recommended*



**BAMO INTERNATIONAL**

22, Rue de la Voie des Bans · Z.I. de la gare · 95100 ARGENTEUIL  
 Tel +33 (0)1 30 25 83 20 Web www.bamo.eu  
 Fax +33 (0)1 34 10 16 05 E-mail export@bamo.fr

Hydrostatic level transmitter,  
 PVDF  
**BAMONIV**

12-10-2018

D-591.02-EN-AB

**NIV**

**591-02/1**

## CODE NUMBERS AND REFERENCES

Code	Description
591 400	BAMONIV, connector BSP 1 1/2"
591 500	BAMONIV, cable output; PVC cable, 2 m long

### Reference according the measuring scale

#### Model

#### Connection type

- 4** Connector ISO 4400
- 5** Cable output, 2 m

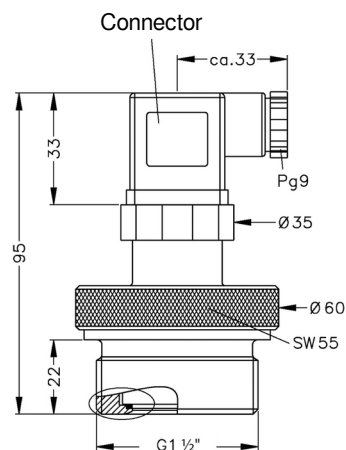
#### Measuring scale (Water Column)

- 01** 0... 0.06 bar / 0 ... 0.6 m WC
- 02** 0... 0.10 bar / 0 ... 1.0 m WC
- 03** 0... 0.16 bar / 0 ... 1.6 m WC
- 04** 0... 0.25 bar / 0 ... 2.5 m WC
- 05** 0... 0.40 bar / 0 ... 4.0 m WC
- 06** 0... 0.60 bar / 0 ... 6.0 m WC
- 07** 0... 1.0 bar / 0 ... 10 m WC

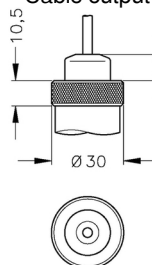
BAMONIV 4 03

## DIMENSIONS

### Assembly: hand tightening



### Cable output



# BAMO INTERNATIONAL

22, Rue de la Voie des Bans · Z.I. de la gare · 95100 ARGENTEUIL

Tel +33 (0)1 30 25 83 20 Web [www.bamo.eu](http://www.bamo.eu)

Fax +33 (0)1 34 10 16 05 E-mail [export@bamo.fr](mailto:export@bamo.fr)

Hydrostatic level transmitter,  
PVDF  
**BAMONIV**

12-10-2018

D-591.02-EN-AB

NIV

591-02/2