

Level controller SNR 4



- PVC or stainless steel versions
- Hydrostatic level detection
- Output: 1 contact
- For liquids (chemically compatible)
- Independent of conductivity, viscosity

APPLICATIONS

- Level control for open tanks or without pressure.

DESCRIPTION

The liquid, as it rises in the open tube at the bottom, increases the pressure of the trapped atmosphere. The pressure variation acts on a diaphragm that directly activates a contact. The level controller SNR 4, affords a dirt liquid as far as this one does not clog the measuring tube. Threshold is adjustable.

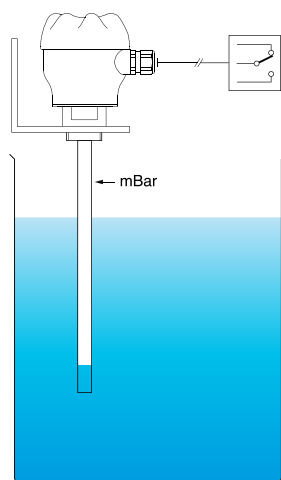
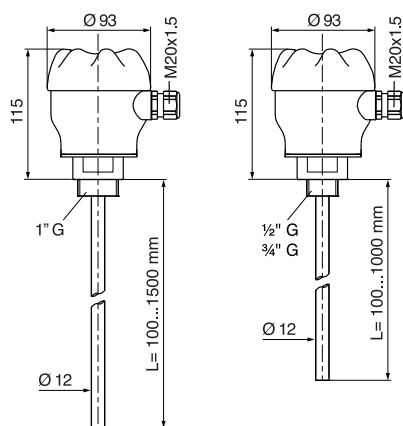
NOTE: The inner atmosphere can diffuse through the diaphragm; It is necessary to renew the atmosphere (fresh air) every three months.

TECHNICAL FEATURES

Measuring tube	PVC, Ø 12 mm (length ≤ 1500 mm) AISI 316 L, Ø 12 mm (length ≤ 1000 mm)
Housing head	PBT - IP 65
Fitting	PVC: BSP 1" AISI 316 L: BSP 1/2" or 3/4"
Diaphragm	FPM
Hysteresis	60 mm
Tolerance	±8 mm
Level switch	Changeover contact
Repeatability	± 5 % trigger point distance (minimum ± 0.3 mbar)
Contact lifetime	10 ⁶ cycles
Switching power	250 V / 1 A, resistive load
Ambient temperature	Max. 60 °C
Adjustment range	From 100 to 750 mm (For liquid at SG = 1)

CODE NUMBERS AND REFERENCES

Code	Reference	Description
528 100	SNR4-C /PVC	PVC stem, Ø 12 mm, BSP 1"
528 200	SNR4-C /Inox	AISI 316 L stem, Ø 12 mm, BSP 1/2"
528 210	SNR4-C /Inox	AISI 316 L stem, Ø 12 mm, BSP 3/4"



Operating principle

BAMO INTERNATIONAL

22, Rue de la Voie des Bans · Z.I. de la gare · 95100 ARGENTEUIL

Tel +33 (0)1 30 25 83 20 Web www.bamo.eu

Fax +33 (0)1 34 10 16 05 E-mail export@bamo.fr

Level controller
SNR 4

14-10-2020

D-528.01-EN-AC

NIV

528-01 /1