

Side level controller CNL



CNL 200

- Versions: Brass, AISI 316, PP
- Small size
- Tank side mounting
- 1 contact

APPLICATIONS

- Level detection for liquids

DESCRIPTION

The lateral level controller CNL, consists of a float fixed to a shaft which end has: a magnet on metal models or a magnetic float on PPH models. The float is moved by the liquid and the magnet acts on a reed contact isolated from the liquid.

TECHNICAL FEATURES

Body	AISI 316 / Brass	PPH
Float	AISI 316 / PVDF	PPH
S.G. Min.	0.83	0.78
Seal	FPM	NBR (for CNL 320)
Temperature Max.	110 °C	80 °C
Pressure Max.	6 bar	2 bar
Contact	N.O. or N.C. according set up	
Hysteresis	About 1 ... 4 mm	10 mm
Switching power on a resistive load	Max. 1 A Max. 230 V AC or 48 V DC Max. 26 VA or 20 W	



CNL 250

CNL 320



CNL 450



Settings on brass and stainless steel versions:

Positioning of the encapsulated Reed contact makes it possible to obtain or a N.O. or N.C. contact output.

- N.O.: Set on the blue arrow (open when liquid is present)
- N.C.: Set on red arrow (closed in the presence of liquid)

Fine adjustment of switching point along the length of the arrow, represents -4 ... 0 mm to the horizontal axis

Settings on PP versions:

The contact is N.C. (normally closed) when the float is aligned with the horizontal axis (blocking position).

The mounting direction determines the alarm on filling or emptying (by rotating the controller of 180°).

Accessories:

Our relays ES 2001 protect the Reed contacts with a low power detection loop and allows a high switching power on output (500 VA / 5 A / 250 V), data-sheet 250-02. *Other power supplies on request*

EC Conformity: The instrument meets the legal requirements of the current European Directives

BAMO INTERNATIONAL

22, Rue de la Voie des Bans · Z.I. de la gare · 95100 ARGENTEUIL

Tel +33 (0)1 30 25 83 20 Web www.bamo.eu

Fax +33 (0)1 34 10 16 05 E-mail export@bamo.fr

Side level controller
CNL

19-12-2019

D-526.01-EN-AA

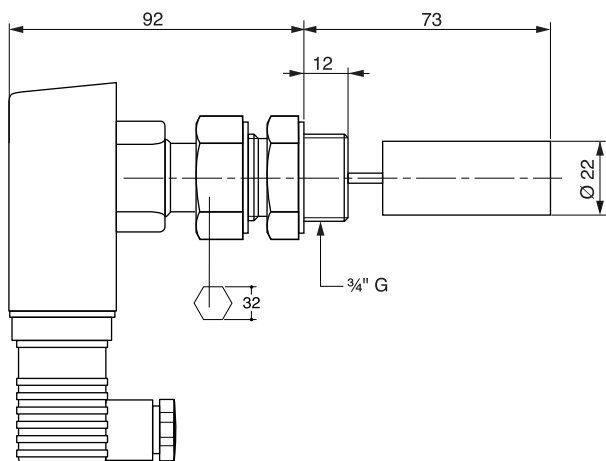
NIV

526-01 /1

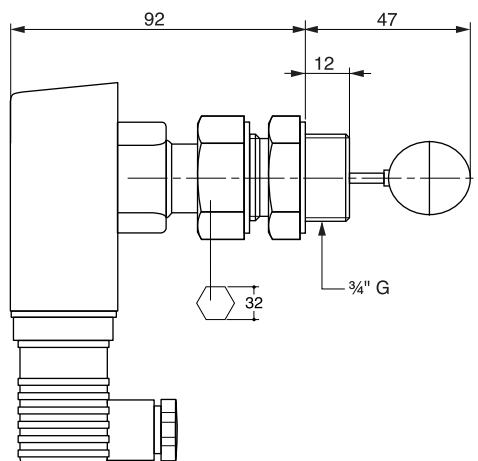
CODE NUMBERS AND REFERENCES

Code	Reference	Description
526 200	CNL-200	Side level controller, body and float in AISI 316, fitting BSP 3/4"
526 250	CNL-250	Side level controller, Brass body, PVDF float, fitting BSP 3/4"
526 320	CNL-320	Side level controller, PPH, Ø 16.5, fitting through tank wall, sealing by crushing the seal
526 450	CNL-450	Side level controller, PPH, fitting NPT 1/2"
Relay ES2001, Reed contact protection		
530 200	ES 2001 / 230 V AC	DIN rail mounting, IP 40, 230 V AC 50/60 Hz (other on request)

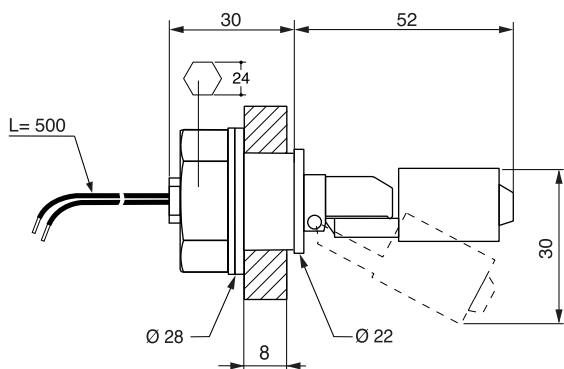
DIMENSIONS



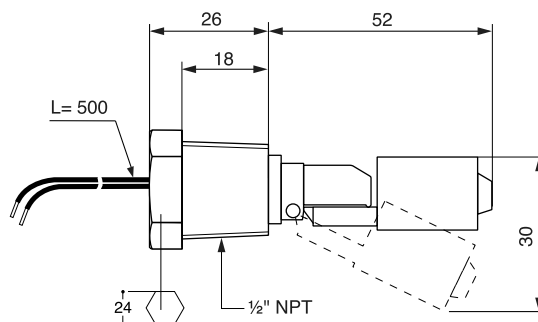
CNL 200



CNL 200



CNL 320



CNL 450

BAMO INTERNATIONAL

22, Rue de la Voie des Bans · Z.I. de la gare · 95100 ARGENTEUIL

Tel +33 (0)1 30 25 83 20 Web www.bamo.eu

Fax +33 (0)1 34 10 16 05 E-mail export@bamo.fr

Side level controller
CNL

NIV

526-01 /2

19-12-2019

D-526.01-EN-AA