

Vibrating fork level detector NIVASWITCH



- Detection of level for liquids
- Continuous monitoring
- Operating even with turbulences
- Unnecessary calibration routine
- Operating even with suspended solids

APPLICATIONS

NIVASWITCH is a liquid level detector. It is mainly used for overflow protection, leak detection or dry run protection of pumps.

DESCRIPTION

NIVASWITCH is easy to use and can detect most liquids. It works independently of electric conductivity, clogging, turbulences, flow-rate and air bubbles. The trigger point depends of the immersion depth.

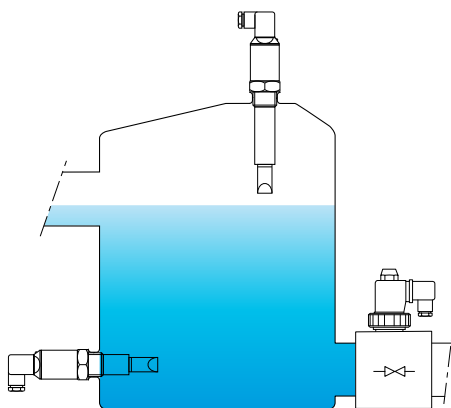
Robust and compact, NIVASWITCH may be mounted vertically or horizontally. Easy to install, it does not require maintenance. Status of output is indicated by a bi-color (LED) and a function test is performed with a magnet.

The alternative current output or digital output (NPN or PNP) can be connected to a PLC. As an option, the relays PKK (data-sheet 251-02) or LC1, allow to convert the output as a potential free contact signal.

TECHNICAL FEATURES

Insertion length	69 or 125 mm (from sealing surface)
Material	AISI 316 Ti
Fitting	1" BSP
Liquid temperature	-40 ... 130 °C (see the temperature limits diagrams)
Ambient temperature	-40 ... 70 °C (see the temperature limits diagrams)
Liquid pressure	Max. 40 barg (See the diagram: pressure vs. temperature)
Liquid S.G.	≥ 0.7
Viscosity	≤ 10,000 mm ² /s (cSt)
Supply / Output (2 versions)	or 12 ... 55 V DC / DC, 3-wire, PNP or NPN or 20 ... 255 V AC / AC, 2-wire
Consumption	AC: Depending on connected load / DC: < 0.6 W
Electrical connections	DIN Connector
Electrical protection	AC version: Classe I / DC version: Classe III
IP Protection	IP 65
Mass	0.5 kg

EC Conformity: The instrument meets the legal requirements of the current European Directives



Examples of use

BAMO INTERNATIONAL

22, Rue de la Voie des Bans · Z.I. de la gare · 95100 ARGENTEUIL

Tel +33 (0)1 30 25 83 20 Web www.bamo.eu

Fax +33 (0)1 34 10 16 05 E-mail export@bamo.fr

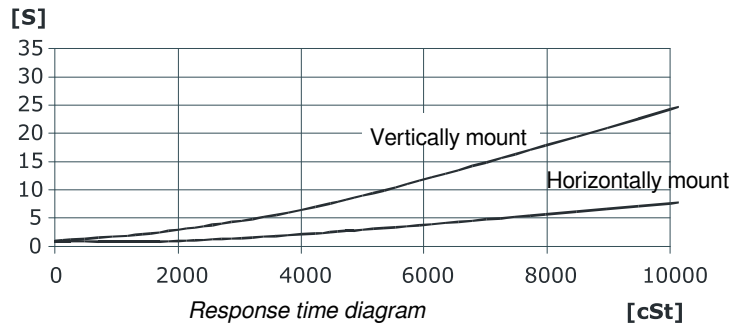
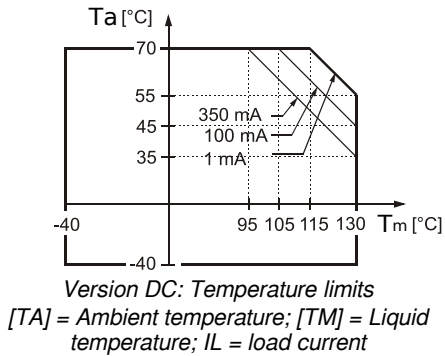
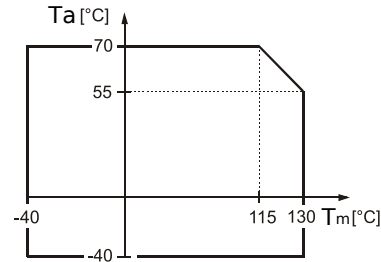
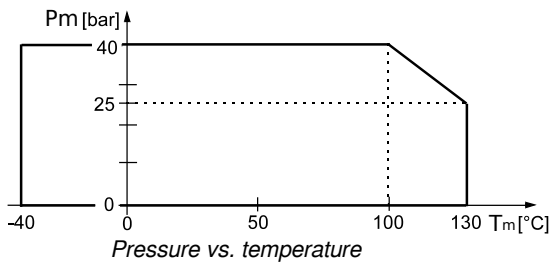
Vibrating fork level detector
NIVASWITCH

21-03-2019

D-513.03-EN-AB

513-03/1

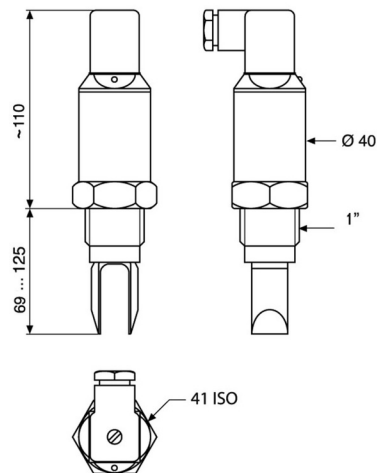
DIAGRAMS



CODE NUMBERS AND REFERENCES

Code	Reference	Rod length	Power supply	Ouput
513 300	CM69AC	69 mm	0...255 V AC	AC, 2-wire
513 303	CM69DC	69 mm	2...55 V DC	3-wire, NPN or PNP
513 350	CM125AC	125 mm	0...255 V AC	AC, 2-wire
513 353	CM125DC	125 mm	2...55 V DC	3-wire, NPN or PNP
Accessories				
251 227	PKK-312-4	Relay, 24 V DC $\pm 15\%$ for Nivaswitch DC		
251 250	LC1	Relay, 230 V AC for Nivaswitch AC		

DIMENSIONS



BAMO INTERNATIONAL

22, Rue de la Voie des Bans · Z.I. de la gare · 95100 ARGENTEUIL
Tel +33 (0)1 30 25 83 20 Web www.bamo.eu
Fax +33 (0)1 34 10 16 05 E-mail export@bamo.fr

Vibrating fork level detector
NIVASWITCH

21-03-2019

D-513.03-EN-AB

513-03/2