

Sets and kits

SFA, modular series

- For tanks with large heights
- Easy carriage
- Short delivery time
- Level indicator protected by PVC tube
- All sets and kits for assembly on site

PRINCIPLE

The float, suspended to a rope supported with 2 pulleys, drives a counterweight inside the external transparent tube; Liquid level is shown by counterweight. Counterweight has a built in magnet to actuate the level switches.

COMPONENTS

Model: SFA

This set consists of a float and an indicator interconnected by a rope running on pulleys.

Model: SFA/E

For gastight protection: Pulleys are enclosed in PVC elbows with a non jump system ensuring a perfect guidance of the PP rope. Elbows are interconnected by a PVC tube (for solvent welding). Equipment fits the tank with a PVC loose flange ISO ND 100 (schedule PN 10/16).

Modular and extension kits:

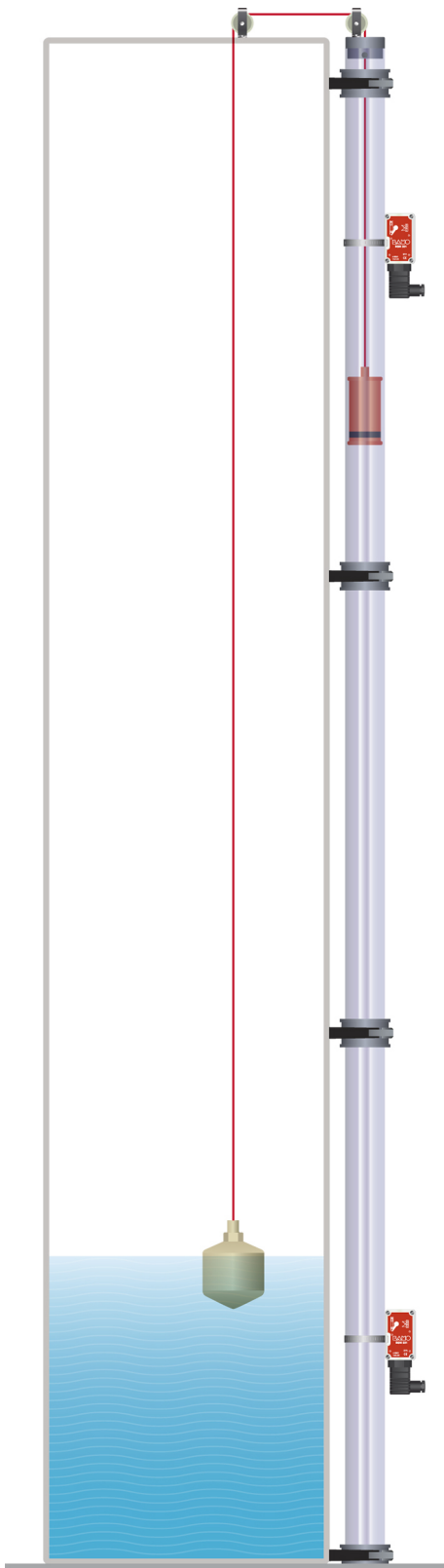
These kits are intended to reduce the cost of packing and carriage. Thus, to avoid manipulations of packs longer than 2 meters, we supply a modular system with special sleeve(s) for interconnection between modules. The standard modular kit: Basic module comes in 2 parts (total 3.2 m high) The basic kit may be extended by one or more extension kit(s), to install between parts of basic modular kit. The overall height is obtained by shortening the last tube at exact real dimension of tank.

Modular kits may be associated to:

- SFA sets
- SFA/E sets (gastight models)

The level switches BSM 501 can be fixed all along the tube, excepted where are the sleeves and collars.

The mounting of a graduated ruler can always be done, but the ruler may be supplied in various parts as for the guide tube (or a solution may be designed with our classic non-modular system, on request).



BAMO INTERNATIONAL

22, Rue de la Voie des Bans · Z.I. de la gare · 95100 ARGENTEUIL

Tel +33 (0)1 30 25 83 20 Web www.bamo.eu

Fax +33 (0)1 34 10 16 05 E-mail export@bamo.fr

Sets and kits
SFA, modular series

02-04-2019

D-583.05-EN-AA

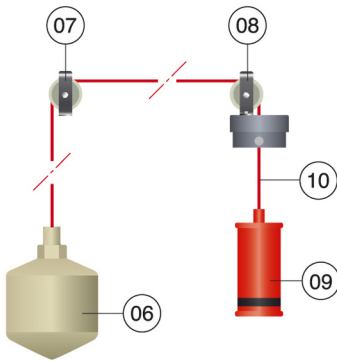
NIV

583-05/1

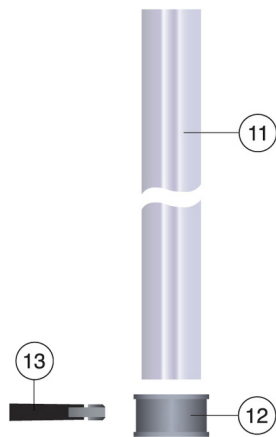
583

583

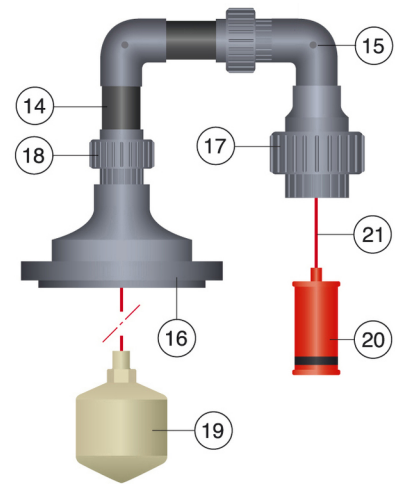
CODE NUMBERS AND DESCRIPTIONS



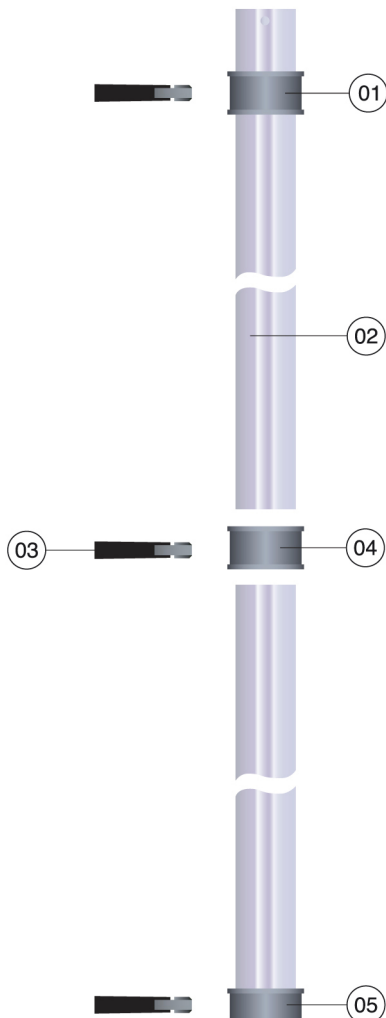
Code 583 020
Set SFA, standard
model



Code 583 581
Extension modular kit



Code 583 701
Set SFA/E/M, gastight model



Code 583 580 → Kit SFA basic module (3.2 m), includes:

1 Adjustable fitting (top part), PVC	(Mark 01)
2 tubes, transparent PVC, Ø 57/63 mm, length 1600 mm	(Mark 02)
3 Fitting collars, PE, Ø 75 mm	(Mark 03)
1 Junction sleeve, PVC	(Mark 04)
1 Bottom end, PVC	(Mark 05)

Code 583 581 → Kit extension of SFA basic module (1.6 m), includes:

1 tube, transparent PVC, Ø 57/63 mm, length 1600 mm	(Mark 11)
1 Junction sleeve, PVC	(Mark 12)
1 Fitting collar, PE, Ø 75	(Mark 13)

Code 583 020 → PP level indicator set, includes:

1 PPH float, Ø 98 mm	(Mark 06)
1 Pulley for top of tank	(Mark 07)
1 Pulley for top of tube	(Mark 08)
1 Counterweight with built-in magnet	(Mark 09)
Cable/rope, PP, Ø 3 mm, (length according to the project)	(Mark 10)

Code 583 701 → Gas-tight set, includes:

2 Transfer tubes, PVC, Ø 40 mm, length 1000 mm each	(Mark 14)
2 Gas-tight pulleys	(Mark 15)
1 Fitting top tank, PVC loose flange ND100 and butt	(Mark 16)
1 Union fitting for top of guiding tube Ø 63 mm	(Mark 17)
2 Union fittings, Ø 40 mm	(Mark 18)
1 PPH float, Ø 98 mm	(Mark 19)
1 Counterweight with built-in magnet	(Mark 20)
Cable/rope, PP, Ø 3 mm, (length according to the project)	(Mark 21)

Options: Accessories

Code P41 576	Collar in PE, Ø 75 mm to fit guiding tube to the tank
Code 582 055	Adjustable tee (CTB)
Code 585 100	BSM 501, level switch, change-over, for SFA and SFA/E

BAMO INTERNATIONAL

22, Rue de la Voie des Bans · Z.I. de la gare · 95100 ARGENTEUIL
Tel +33 (0)1 30 25 83 20 Web www.bamo.eu
Fax +33 (0)1 34 10 16 05 E-mail export@bamo.fr

Sets and kits
SFA, modular series

02-04-2019

D-583.05-EN-AA

NIV

583-05/2

583

583