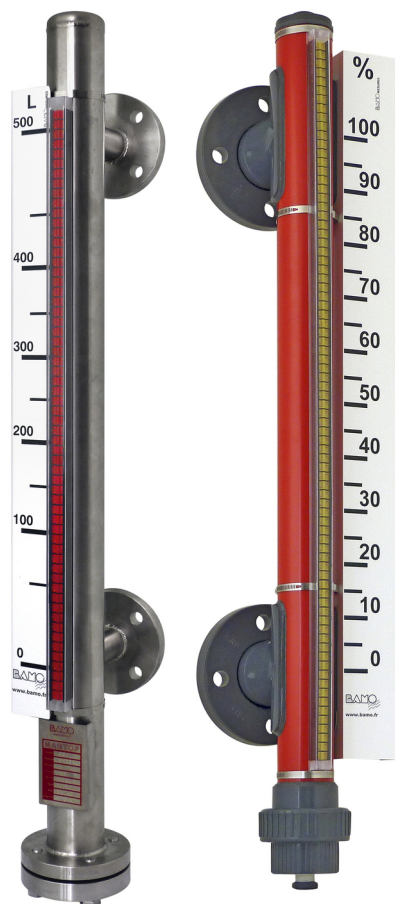


# Level indicator MAGTOP



- Lateral mount
- Direct reading on two-color magnetic ruler
- Materials: AISI 316L, PVC, PPH, PVDF
- Operating under pressure
- Options: Level switches, Graduated ruler, Analogue output 4-20 mA

## APPLICATIONS

Direct reading of level in opaque and closed tanks, metal or plastic vessels.

## DESCRIPTION

The MAGTOP instantly indicates the level of liquid contained in a tank, via a two-color magnetic ruler, flaps pivoting to the passage of the float in the measuring tube.

According to mechanical strength and chemical compatibility, MAGTOP is well adapted to work with liquids such as hot water, oils, alkali and acids. Instrument is installed on the tank by lateral or axial fittings. When the distance between fittings is large, we integrate brackets on the measuring tube to afford the weight; they have to be fixed on corresponding tank brackets.

MAGTOP are available in various models:

- MAGTOP 300 in stainless steel is suitable for lateral mounting on metal tanks.
- MAGTOP 400 & 410 are designed to an axial installation over the tank; The necessary space outside the tank is equivalent to height of immersion.
- MAGTOP 801, 803 & 806 (PVC, PPH, PVDF) are convenient for use with aggressive fluids.

To facilitate handling during commissioning or to satisfy transport conditions, MAGTOP can be made in 2 or 3 parts.

**The MAGTOP is subject to a plan submitted for approval, before manufacture.**

### Options, accessories

- Adjustable level switches to mount on measuring tube (data sheets 585)
- Reed chain "RTM" with transmitter 4-20 mA (or resistor output) for MAGTOP (made of one piece); See data sheet 586-01.
- Graduated ruler in cm, % or volume according specifications.
- Drain valve with fitting 1/2" G

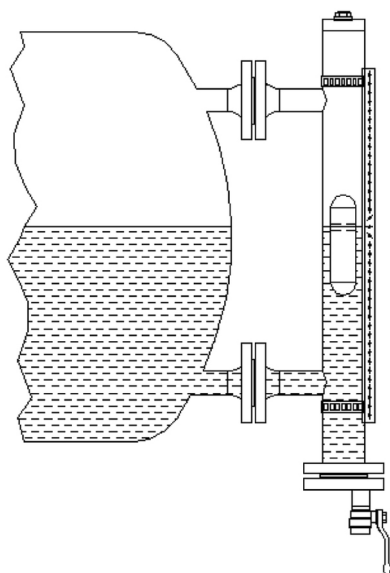
## DEFINITION OF AN INSTRUMENT

### OPERATING CONDITIONS

Liquid: .....  
 Density ..... (kg /m<sup>3</sup>)  
 Pressure ..... (bar)  
 Temperature ..... (°C)

Model:  
 Type ..... (300, 400, 410, 801, 803, 806)  
 Center to Center ..... (L in mm, acc. spec.)  
 Fittings ..... (acc. spec.)  
 OPTIONS ..... (acc. spec.)

PED or/ and ATEX versions see data-sheet 560-03



**BAMO** INTERNATIONAL

22, Rue de la Voie des Bans · Z.I. de la gare · 95100 ARGENTEUIL  
 Tel +33 (0)1 30 25 83 20 Web www.bamo.eu  
 Fax +33 (0)1 34 10 16 05 E-mail export@bamo.fr

Level indicator  
MAGTOP

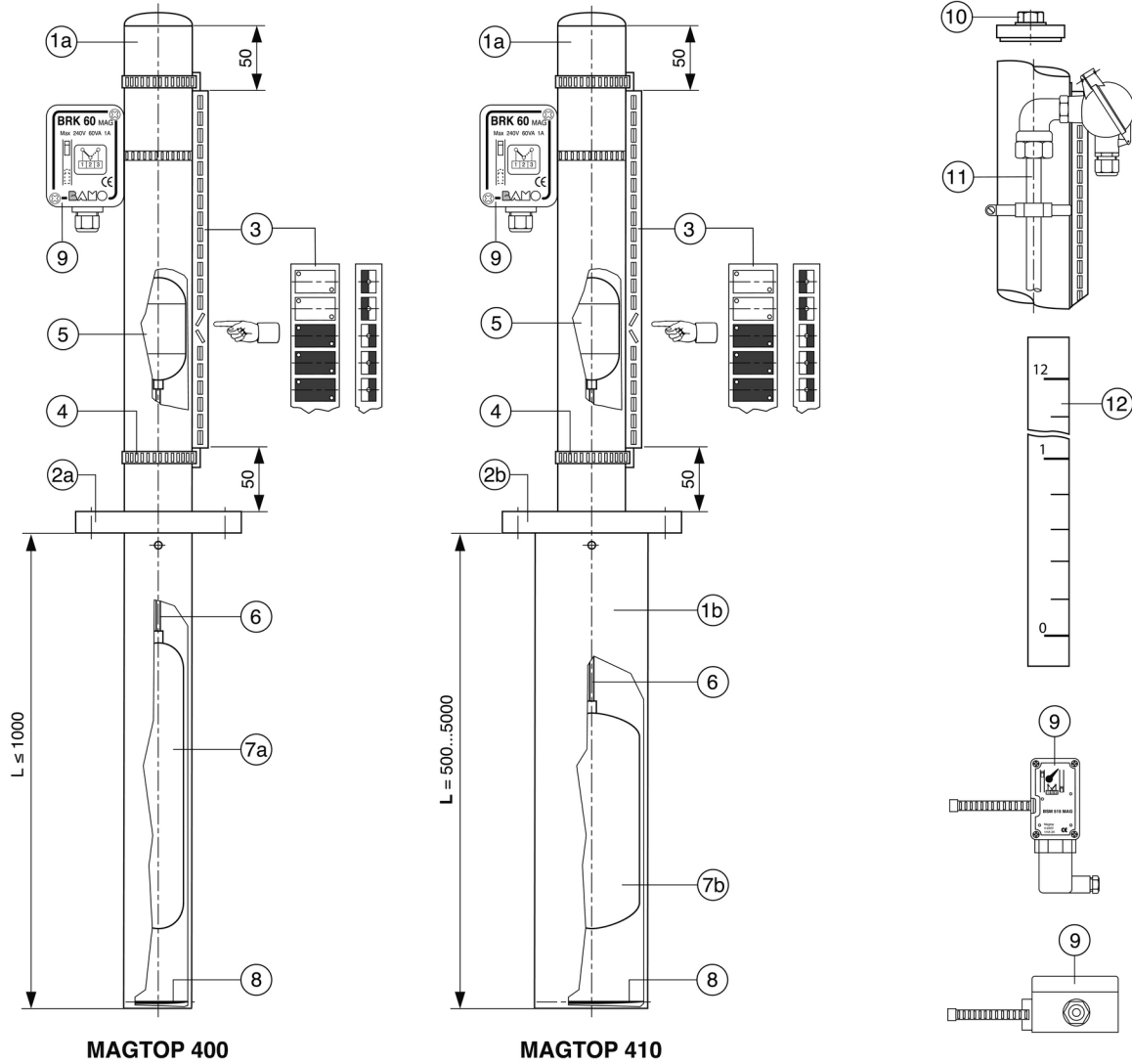
30-10-2020

D-560.01-EN-AF

NIV

560-01 /1





MAGTOP 400

MAGTOP 410

**DESCRIPTION**

1a	AISI 316L measuring tube, Ø 60.3
1b	Immersion tube: AISI 316 L, Ø 104
2a	Axial connection: flange DN 80, 100, 125 / PN 16
2b	Axial connection: Fitting by flange DN 125 / PN 16
3	Magnet ruler: Makrolon® or Aluminum according to temperature
4	Clamp collars in stainless steel 304
5	Magnet actuator
6	Rod assembly
7a	Float Ø 50 mm, height 330 mm
7b	Float Ø 90 mm, height 195 mm
8	Float stopper
9	OPTION: Level switches BRK 60/MAG (T° < 80 °C); BSM 515 (T° < 90 °C); BRT60 if temperature is up to 200 °C
10	OPTION : Vent plug ½" G
11	OPTION : RTM, Reed chain with output signal resistor or with 4-20 mA transmitter
12	OPTION: Stainless steel graduated ruler (volume, %, cm), scale linear or not

**BAMO INTERNATIONAL**

22, Rue de la Voie des Bans · Z.I. de la gare · 95100 ARGENTEUIL  
 Tel +33 (0)1 30 25 83 20 Web www.bamo.eu  
 Fax +33 (0)1 34 10 16 05 E-mail export@bamo.fr

**Level indicator  
MAGTOP**

30-10-2020

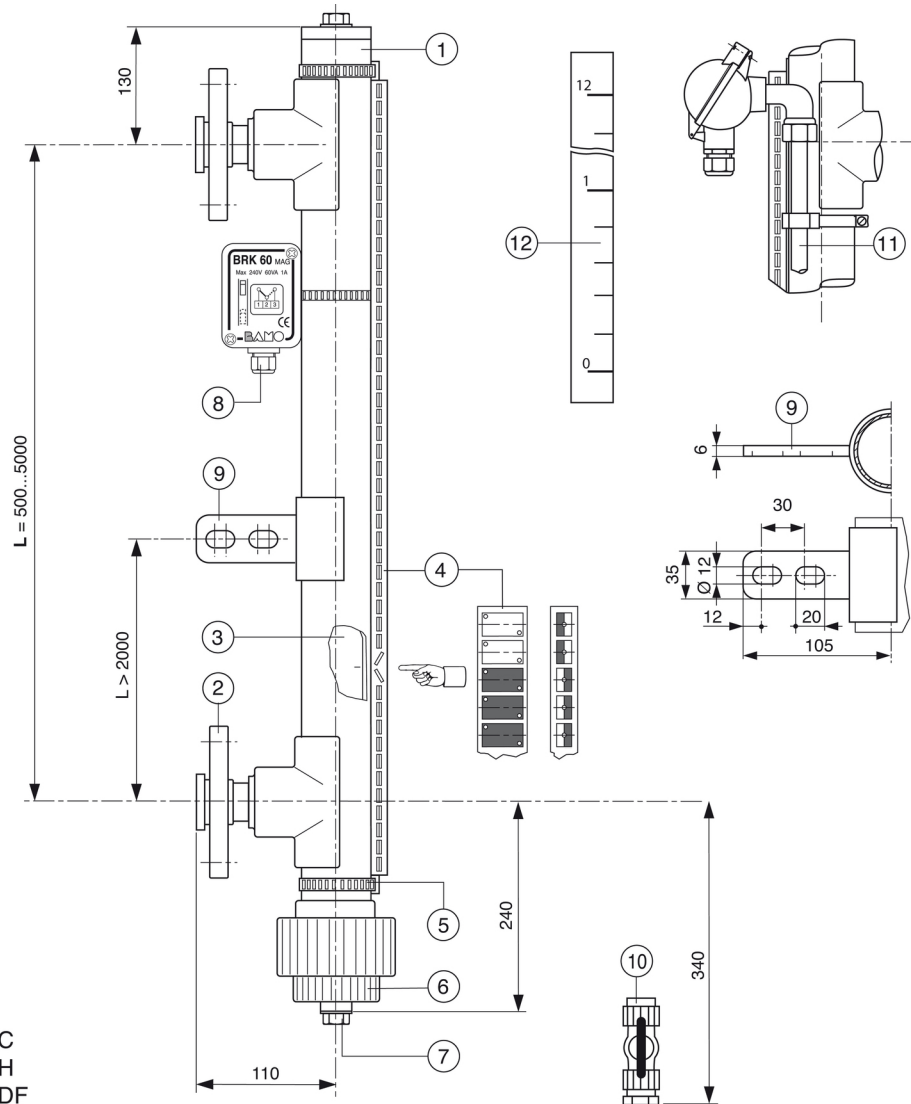
D-560.01-EN-AF

**NIV**

**560-01 /3**

## MAGTOP 800: Plastic versions PVC, PPH or PVDF

Important: As a maximum, operating pressure is 6 bar at 20 ° C.



MAGTOP 801 → PVC  
 MAGTOP 803 → PPH  
 MAGTOP 806 → PVDF

### DESCRIPTION

1	Measuring tube Ø 63 mm, PVC (MAGTOP 801), PPH (MAGTOP 803), PVDF (MAGTOP 806)
2	Lateral fittings: Flanges ND 25 or 32 in PVC (MAGTOP 801), in PP steel core (MAGTOP 803 & 806); other fittings on request
3	Float with built-in magnet: PVC (MAGTOP 801), PPH (MAGTOP 803), PVDF (MAGTOP 806)
4	Magnet ruler: Makrolon®
5	Clamp collars in stainless steel 304
6	Union (3 pieces) for float insertion or maintenance
7	Drain plug ½" G, PVC (MAGTOP 801), PPH (MAGTOP 803), PVDF (MAGTOP 806)
8	OPTION: Level switches BRK 60/MAG
9	Brackets (L > 2000 mm), PVC (MAGTOP 801), PPH (MAGTOP 803), PVDF (MAGTOP 806)
10	OPTION : Drain valve ½" G, PVC (MAGTOP 801), PPH (MAGTOP 803), PVDF (MAGTOP 806)
11	OPTION : RTM, Reed chain with output signal resistor or with 4-20 mA transmitter (only when measuring tube is of 1 part)
12	OPTION: Graduated ruler (volume, %, cm), scale linear or not, in PVC (MAGTOP 801, 803 & 806)

# BAMO INTERNATIONAL

22, Rue de la Voie des Bans · Z.I. de la gare · 95100 ARGENTEUIL

Tel +33 (0)1 30 25 83 20 Web [www.bamo.eu](http://www.bamo.eu)

Fax +33 (0)1 34 10 16 05 E-mail [export@bamo.fr](mailto:export@bamo.fr)

Level indicator  
**MAGTOP**

NIV

560-01 /4

30-10-2020

D-560.01-EN-AF