

Dry run protection CAPSYTRON TLS



- Wet parts in plastic materials
- Compact probe
- Plug for function test
- Switches when pipe is empty
- No moving parts

APPLICATIONS

- Protection against dry run; Detection of empty filling pipe
- Prevents hammer effects when air is compressed in the pipe.

DESCRIPTION

The CAPSYTRON TLS is designed for empty tube detection. It avoids hammer effects when filling a tank.

It is designed to detect the presence of liquids whose reactance is $< 5 \text{ k}\Omega$, or even whose coupling capacity to earth is $> 50 \text{ pF}$. In no case should liquids form insulating or conductive deposits.

TECHNICAL FEATURES

Power supply	15 ... 27 V DC
Consumption	$< 1 \text{ W}$
Output	Potential free Reed contact N.C. with liquid; N.O. without liquid (in air) Rated: Max. 50 V AC / DC; Max. 0.5 A; Max. 10 VA for PLC connection or coupling relay
Connector	Screw terminals, IP 20, cable Max. 2.5 mm ²
Additional function	Connection to an external test button, with which the whole electronics, wiring and signaling device can be tested.
Probe	Or PE, or PP
Length	Min. 95 mm
Fitting	Union nut BSP 1", includes EPDM o-ring
Ambient temperature	-20 ... +60 °C
Pressure limit	2 bar
Housing terminal	PBT, IP 65 acc. EN 60529

Caution:

When supply is switched on, the output contact remains closed about 0.5 second during the auto-test routine.

The Capsytron TLS sensor is of one piece; Previous series had 1 detector and 1 reference electrode, separated of each other (SFL / SFL BZ).

To adapt actual model to an old series holder, we recommend to plug in a tap where was the reference electrode.

EC Conformity: The instrument meets the legal requirements of the current European Directives.

BAMO INTERNATIONAL

22, Rue de la Voie des Bans · Z.I. de la gare · 95100 ARGENTEUIL

Tel +33 (0)1 30 25 83 20 Web www.bamo.eu

Fax +33 (0)1 34 10 16 05 E-mail export@bamo.fr

Dry run protection
CAPSYTRON TLS

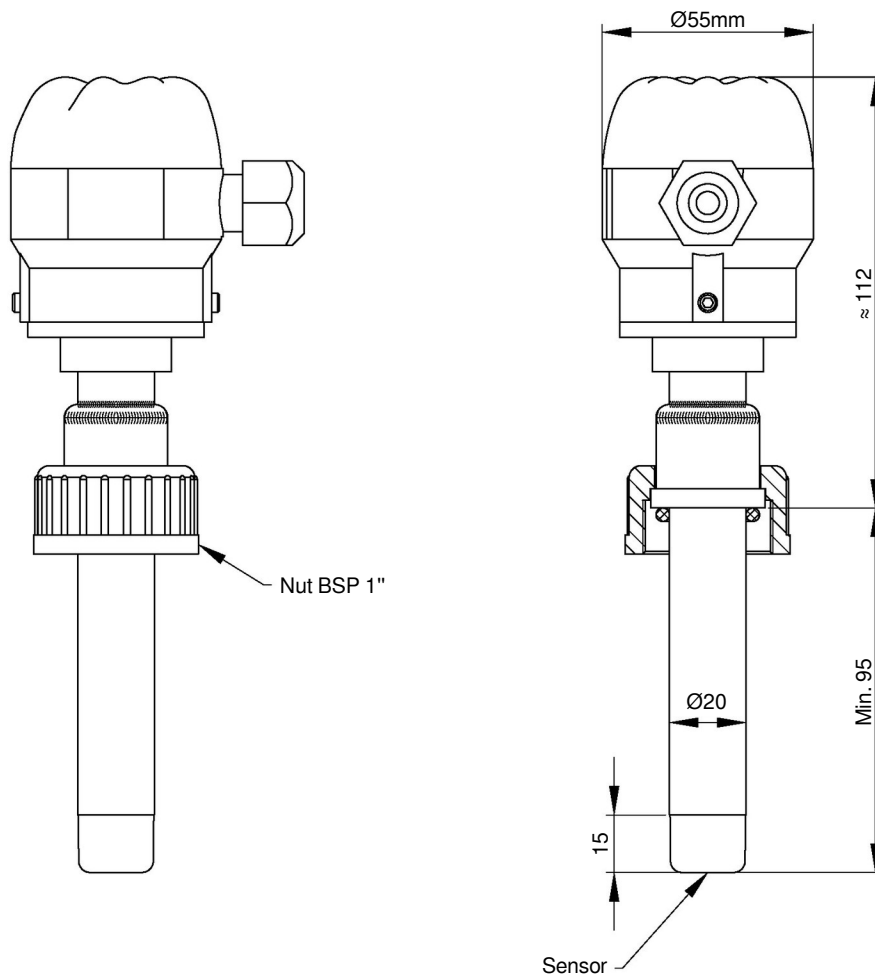
10-03-2020

D-556.95-EN-AC

LEV

556-95/1

DIMENSIONS



CODE NUMBERS AND REFERENCES

Code	Reference	Description
556 900	CAPSYTRON TLS 4	CAPSYTRON TLS, 15 - 27V DC, HD-PE stem, PVC nut BSP 1"
556 905	CAPSYTRON TLS 2	CAPSYTRON TLS, 15 - 27V DC, PP stem, PVC nut BSP 1"

BAMO INTERNATIONAL

22, Rue de la Voie des Bans · Z.I. de la gare · 95100 ARGENTEUIL

Tel +33 (0)1 30 25 83 20 Web www.bamo.eu

Fax +33 (0)1 34 10 16 05 E-mail export@bamo.fr

Dry run protection
CAPSYTRON TLS

10-03-2020

D-556.95-EN-AC

LEV

556-95/2