

Leak detector MAXITOP – LW C



- Capacitance detection loop
- For aggressive and conductive liquids
- Fail safe; Auto-diagnostic with SHR relay
- Wet parts in plastic materials
- Safe: no electrode touching the fluid

APPLICATIONS

With its integrated positive safety converter, the MAXITOP is ideal to give an alarm when a leakage occurs from storage tank for electrically conductive, non-flammable liquids, even highly aggressive liquids.

DESCRIPTION

The detector MAXITOP is designed to detect the presence of liquids (acids, alkalis) with a reactance below 5 kOhm and a coupling capacitance towards ground of more than 50 pF.

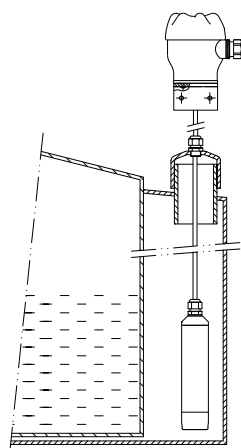
In no case should liquids form insulating or conductive deposits.

The MAXITOP LW C has 4 different possible interfacing connections:

- Direct connection to a 4 channels alarm unit MAXIMAT TC4 (data sheet 555-07) or 1 channel unit MAXIMAT TC1 (data-sheet 555-10)
- Direct connection to a PLC
- For relay output and loop diagnostic with a MAXIMAT SHR (data sheet 555-06)
- For relay output with a MAXIMAT CST (data sheet 555-09)

TECHNICAL FEATURES

Power supply	15 ... 27 V DC
Consumption	< 1 W
Operating pressure	Atmospheric 0.8 to 1.1 bar
Probe	HD-PE, O.D. 40 or 25 mm
Suspension cable	Shielded cable, PVC sheath, standard length 6 m, 5-wire, 0.34 mm ²
Head housing	PBT, fibreglass reinforced, IP 65 according EN 60 529
Connectors	Screw terminals, wire Max. 2.5 mm ²
Input	For external button switch to test the complete system
Signaling display	Green LED on the terminals board
Output	Reed contact, potential free, for low voltage Rated: 50 V AC/DC; 0.5 A; 10 VA
Hysteresis	About 2 mm
Switching contact	Liquid height Min. 5 mm



EC Conformity: The instrument meets the legal requirements of the current European Directives.

BAMO INTERNATIONAL

22, Rue de la Voie des Bans · Z.I. de la gare · 95100 ARGENTEUIL

Tel +33 (0)1 30 25 83 20 Web www.bamo.eu

Fax +33 (0)1 34 10 16 05 E-mail export@bamo.fr

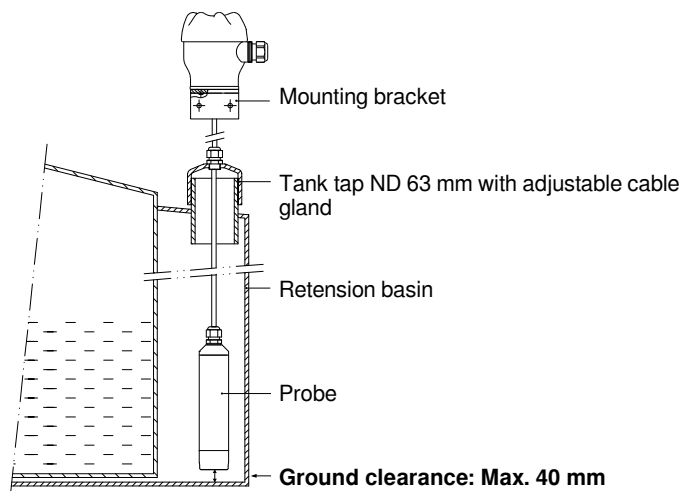
Leak detector
MAXITOP – LW C

10-03-2020

D-556.03-EN-AA

NIV

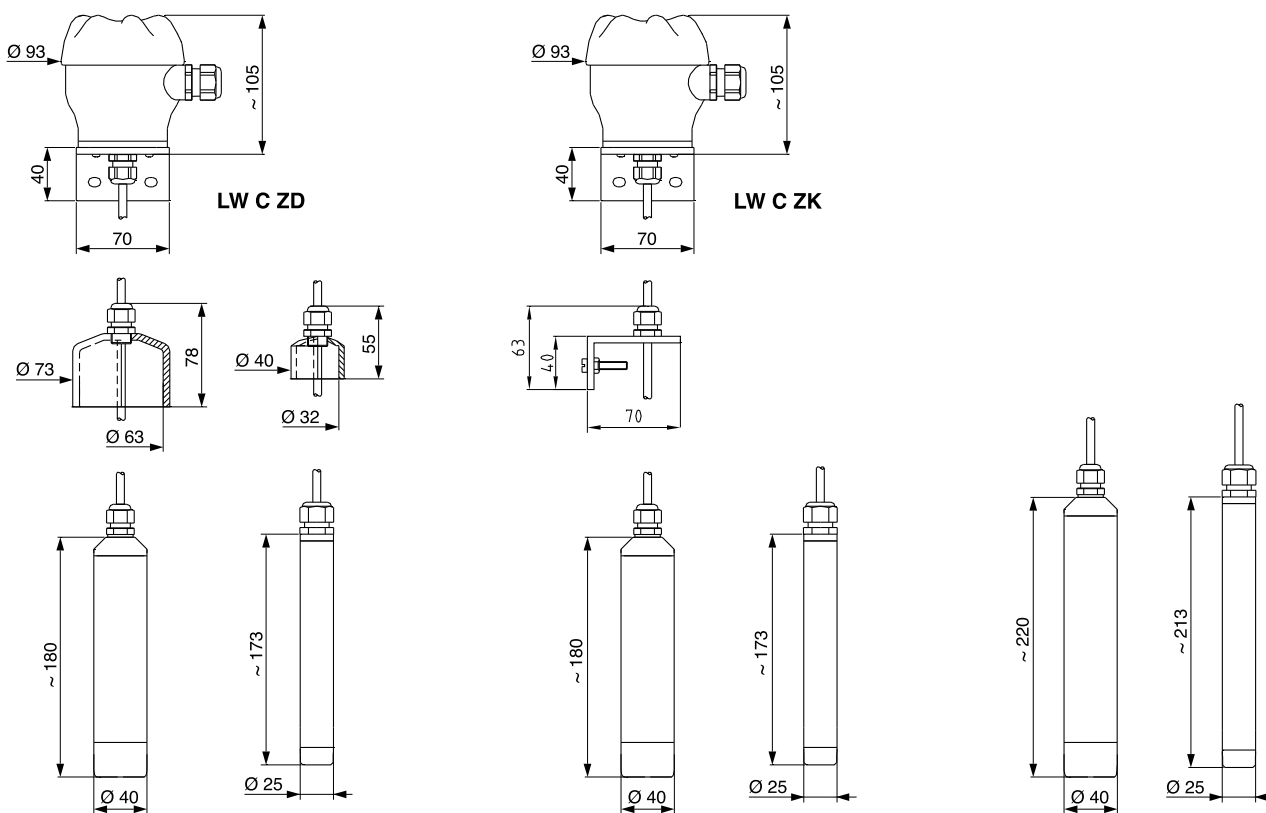
556-03/1



CODE NUMBERS AND REFERENCES

Code	Reference	Description
556 300	MAXITOP-LW C ZK Ø 40	Complete with probe O.D. 40 mm, 2 brackets, adjustable cable gland
556 305	MAXITOP-LW C ZK Ø 25	Complete with probe O.D. 25 mm, 2 brackets, adjustable cable gland
556 310	MAXITOP-LW C ZD Ø 40	Complete with probe O.D. 40 mm, PVC female tap Ø 63 and adjustment system
556 315	MAXITOP-LW C ZD Ø 25	Complete with probe O.D. 25 mm, PVC female tap Ø 32 and adjustment system

DIMENSIONS



BAMO INTERNATIONAL

22, Rue de la Voie des Bans · Z.I. de la gare · 95100 ARGENTEUIL

Tel +33 (0)1 30 25 83 20 Web www.bamo.eu

Fax +33 (0)1 34 10 16 05 E-mail export@bamo.fr

Leak detector
MAXITOP – LW C

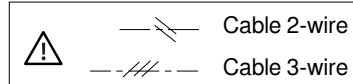
10-03-2020

D-556.03-EN-AA

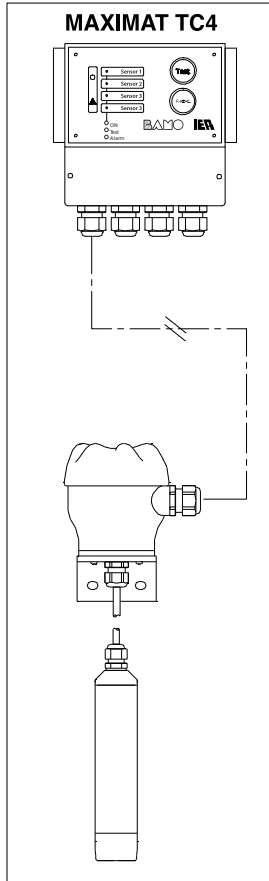
NIV

556-03/2

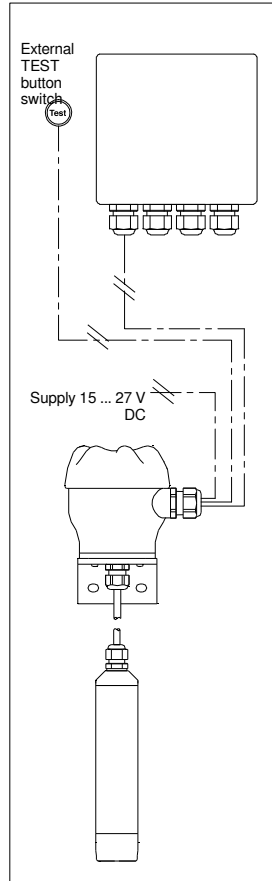
4 TYPES OF ELECTRICAL CONNECTIONS



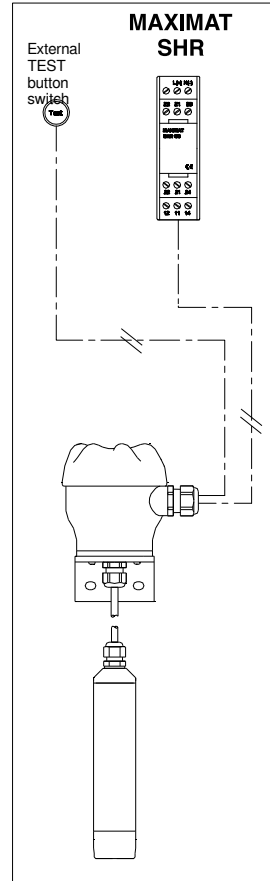
Connection to a TC4 (or TC1) alarm unit



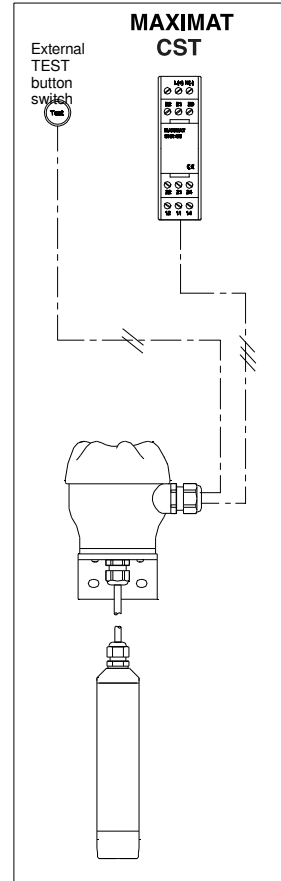
Connection to a PLC



Connection through SHR relay



Connection through CST relay



BAMO INTERNATIONAL

22, Rue de la Voie des Bans · Z.I. de la gare · 95100 ARGENTEUIL

Tel +33 (0)1 30 25 83 20 Web www.bamo.eu

Fax +33 (0)1 34 10 16 05 E-mail export@bamo.fr

Leak detector
MAXITOP – LW C

10-03-2020

D-556.03-EN-AA

NIV

556-03/3