

PRESSURE SWITCH

DPS DIGITAL PRESSURE SWITCH

Pressure Measurement  
& Monitoring



#### DESCRIPTION

The digital pressure switch (DPS) is an intelligent digital pressure sensor comes with pressure display and control function in one unit. The unit is user friendly, easy operation with good shock resistance for long-term stability. The relay output enables high/low limit setting for controlling purpose. Control pressure can be set in any point within the pressure range. DPS also enables the following functions: delay control, reverse control, one key to error clearing, leakage pressure protection, password protection, pressure detection automatically.

The digital pressure switch is widely used in building water supply, hydraulic pressure control, supporting equipment of automated machine, and etc.

#### TECHNICAL FEATURES

#### FEATURES

- ✓ Display & control pressure
- ✓ 4 digit LED display
- ✓ Three display unit available
- ✓ Relay signal output
- ✓ Upper/lower limit & alarm point
- ✓ High accuracy and fast response
- ✓ Anti vibration, shock resistance
- ✓ Anti-jamming performance
- ✓ User friendly, easy installation

<b>Pressure Range</b>	0 to 60 MPa (based on requirement)
<b>Overload Pressure</b>	150%
<b>Dial Size</b>	3" (80mm)
<b>Display Unit</b>	MPa / Kg/cm <sup>2</sup> / Psi
<b>Medium</b>	Liquids / Gas compatible with SS316L
<b>Sampling Frequency</b>	5 times/sec
<b>Accuracy</b>	±0.5% F.S
<b>Op Temperature</b>	-20 to 80°C
<b>Casing Material</b>	ABS (weatherproof)
<b>Output Signal</b>	Relay output for high/low (On/Off) limit
<b>Alarm Point</b>	Any point can be set within pressure range
<b>Power Supply</b>	24V DC
<b>Connection</b>	1/2" BSP Thread
<b>Connection Protection</b>	Reverse polarity and short-circuit protection

I-SYSTEM MEASUREMENT  
www.ismesb.com



PRESSURE SWITCH  
DPS DIGITAL PRESSURE SWITCH

02-2022

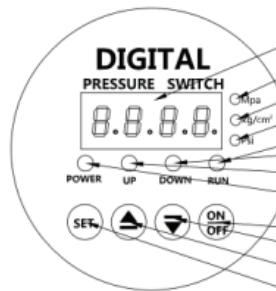
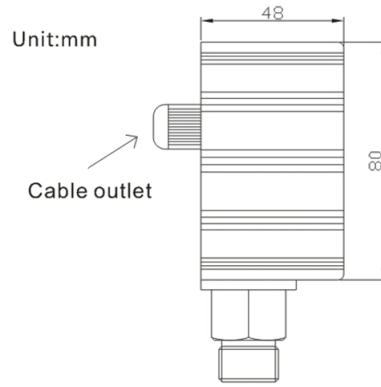
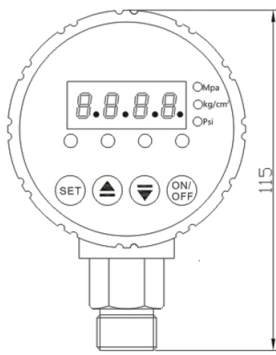
I-SYSTEM

302003

I-SYSTEM

302/003

**DIMENSION/DRAWING**



- 1 PRESSURE DISPLAY
- 2 MPA INDICATOR LIGHT
- 3 Kg/cm<sup>2</sup> INDICATOR LIGHT
- 4 Psi INDICATOR LIGHT
- 5 RUN LIGHT
- 6 LOW PRESSURE ALARM LIGHT
- 7 HIGH PRESSURE ALARM LIGHT
- 8 POWER LIGHT
- 9 RUN(ON/OFF)
- 10 FIGURE DECREASE
- 11 FIGURE INCREASE
- 12 SET

