

Pressure Switches KPI



- Ranges: from 0 up to 12 bar
- Suitable for pumps and compressors
- Electric terminals on the front

APPLICATIONS

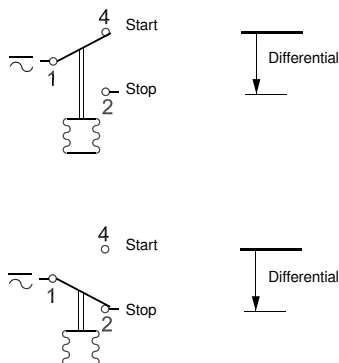
- For local pressure monitoring without indication, with alarm contacts; Designed for liquids, gaseous fluids and vapors.

DESCRIPTION

The KPI pressure switch enables triggering an alarm and allows a regulation between two thresholds. The KPI has a change-over contact which switches according the settings. It has a pressure differential adjustment between opening and closing.

TECHNICAL FEATURES

Contact	1 change-over (SPDT)
Current	Max. 10 A / 400 V
Parts in contact with the fluid	Bellows: Tinned bronze Pressure fitting: Brass
Cable gland	Ø 6 ... 14 mm
Mounting position	Vertical
Housing	Polycarbonate cover
Vibration stability	0... 1,000 Hz; 4 g
Protection	IP 33 IP 44 on request
Pressure fitting	BSP 1/4"
Operating temperature	-40 ... +65 °C
Fluid temperature	-40 ... +100 °C
Mass	300 g
Certifications	RINA CCC RMRS UL



EC Conformity: The instrument meets the legal requirements of the current European Directives.

BAMO INTERNATIONAL

22, Rue de la Voie des Bans · Z.I. de la gare · 95100 ARGENTEUIL

Tel +33 (0)1 30 25 83 20 Web www.bamo.eu

Fax +33 (0)1 34 10 16 05 E-mail export@bamo.fr

Pressure Switches
KPI

29-06-2020

D-892.04-EN-AA

PR

892-04/1

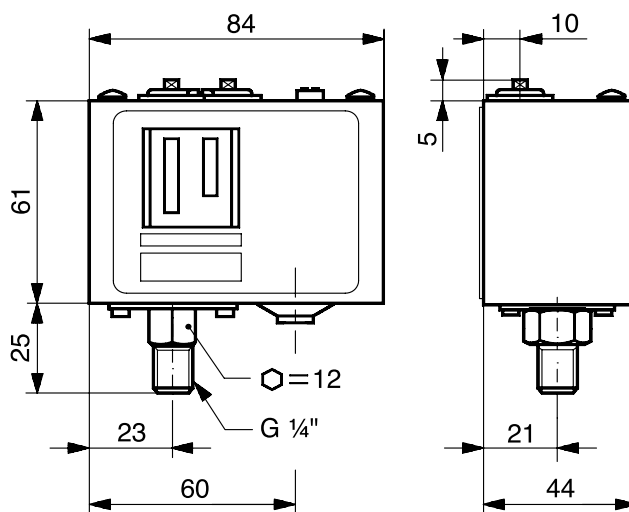
OPERATING PRESSURE RANGES

Model	KPI 35	KPI 36
Switching adjustment	0... 8 bar	4 ... 12 bar
Adjustable hysteresis	0.4 ... 1.5 bar	0.5 1.6 bar
Max. pressure	18 bar	18 bar
Max. test pressure	18 bar	18 bar

CODE NUMBERS AND REFERENCES

Code	Reference	Description
892 083	KPI 35	Pressure switch -0.2 ... 8 bar; IP 33; 1 SPDT contact; BSP 1/4"
892 084	KPI 36	Pressure switch 4 ... 12 bar; IP 33; 1 SPDT contact; BSP 1/4"

DIMENSIONS [mm]



BAMO INTERNATIONAL

22, Rue de la Voie des Bans · Z.I. de la gare · 95100 ARGENTEUIL

Tel +33 (0)1 30 25 83 20 Web www.bamo.eu

Fax +33 (0)1 34 10 16 05 E-mail export@bamo.fr

Pressure Switches
KPI

PR

892-04/2

29-06-2020

D-892.04-EN-AA