

PRESSURE SWITCH

SMART DIGITAL PRESSURE SWITCH - IQ103

Pressure Measurement & Monitoring



DESCRIPTION

IQ103 smart digital pressure switch integrates the function of measuring, display, output and control in one device. It offers a multitude of advantages in comparison with mechanical pressure switches. It offers great accuracy, long-term stability and high number of switching cycles. The smart pressure switch is used in applications such as hydroelectricity, water, oil, chemical, machinery, hydraulic system, etc.

FEATURES

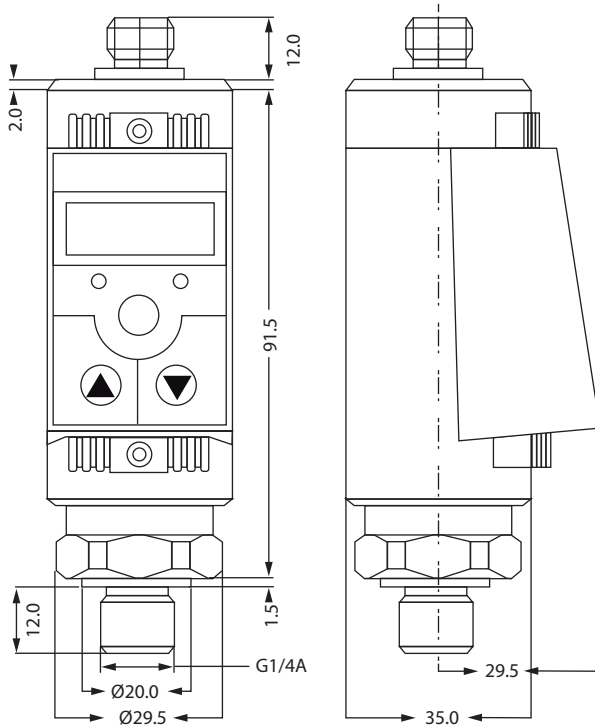
- ✓ Can be rotated 330° in the longitudinal axis and display
- ✓ Suitable for tight installation space
- ✓ 2PNP-transistor switching outputs
- ✓ 4-digit LED display, adjustable via keypad
- ✓ Load capacity 1.2A
- ✓ Analog signal output 4-20mA

TECHNICAL FEATURES

Measuring Range	-0.1~0~100Mpa
Switch Type	PNP/NPN
Power Supply	10 - 30 VDC
Accuracy	0.5% F.S
Output	2-way switch plus 4-20mA
Load Capacity	<24V 1.2A
Response Time	<5ms
Display	4-digit digital tube
Shell material	SS304
Overload Limit	150%
Operating Temperature	-10 to 80 °C
Medium Temperature	-40 to 80 °C (≥ 80 °C Cooling part)
Relative Humidity	≤ 80 °C
Temperature Excursion	±0.02% / °C
Long-term Stability	±0.2% F.S / Year
Protection	IP65



DIMENSION/DRAWING



ORDERING GUIDE

Switch Type	PNP
	NPN
Accuracy	0.5% F.S
Measuring Range	(0 - X) MPa (User defined)
Thread	G1/4
	NPT1/4
	G1/2
	NPT1/2
	G3/8
	Customized
Wetted Material	SS304
	SS316L
	PTFE
	Special Material

I-SYSTEM MEASUREMENT
www.ismesb.com



PRESSURE SWITCH
SMART DIGITAL PRESSURE SWITCH - IQ103
07-2024 I-SYSTEM 302008

I-SYSTEM
302/008