

## PRESSURE SWITCH

### OLED PRESSURE SWITCH - IQ300

## Pressure Measurement & Monitoring



#### DESCRIPTION

IQ300 smart pressure switch includes 4-20mA transmission output, two PNP switching outputs and on-site display function. Using SMT technology and an integrated design concept, it provides constant voltage excitation and constant current excitation for the sensor. Its built-in microprocessor realizes adjustable settings of zero point, full scale, decimal point, control point, and current setting through the three-button programming, without any potentiometer adjustment. The smart pressure switch is suitable for industrial grade temperature environments and has strong anti-interference.

#### FEATURES

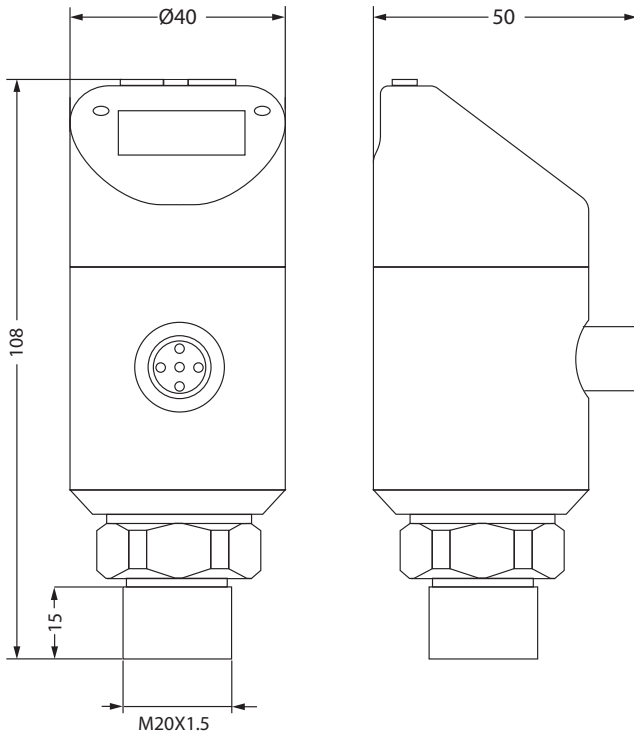
- ✓ OLED display, dual lingual settings
- ✓ Built-in microprocessor
- ✓ 1 x analog, 2 x switch output
- ✓ Supports 2 calibration methods:  
Debugger and button; 2 calibration modes: 2-point and 3-point
- ✓ Extreme low temperature drift
- ✓ Suitable for industrial environment (-40 to 80 °C)
- ✓ Flexible switching point setting, automatic recognition of control direction and automatic insertion of hysteresis value
- ✓ Anti-interference characteristics

#### TECHNICAL FEATURES

<b>Measuring Range</b>	-0.1~0~100Mpa
<b>Stability</b>	≤ ±0.5% / Year
<b>Display</b>	OLED
<b>Power Supply</b>	10 - 30 VDC
<b>Response Time</b>	5ms
<b>Output</b>	2-way switch plus 4-20mA
<b>Protection</b>	IP65
<b>Ambient Temperature</b>	-10 to 80 °C
<b>Control Precision</b>	≤ ±0.5%F.S
<b>Display Accuracy</b>	±0.1%FS
<b>Display Range</b>	-9999~99999
<b>Quiescent Dissipation</b>	<12mA
<b>Lead Wire</b>	M12 Industrial connectors
<b>Load Capacity</b>	<2A
<b>Switch Life</b>	>1000000 times
<b>Medium Temperature</b>	-40 to 85 °C (≥ 80 °C Cooling part)
<b>Relative humidity</b>	0~80%



**DIMENSION/DRAWING**



**ORDERING GUIDE**

<b>Switch Type</b>	PNP
<b>Output</b>	2-way switch plus 4-20mA (M12-5P)
<b>Accuracy</b>	0.5% F.S
<b>Measuring Range</b>	(0 - X) MPa (User defined)
<b>Thread</b>	G1/4
	NPT1/4
	G1/2
	NPT1/2
	G3/8
	Customized
<b>Wetted Material</b>	SS304
	SS316L
	PTFE
	Special Material

I-SYSTEM MEASUREMENT  
www.ismesb.com



PRESSURE SWITCH  
OLED PRESSURE SWITCH - IQ300  
I-SYSTEM

07-2024

302009

I-SYSTEM

302/009