

PRESSURE GAUGE

T-3000 SERIES - DIFFERENTIAL PRESSURE

Pressure Measurement & Monitoring



DESCRIPTION

The T-3000 series adjustable differential pressure switch is designed for pressure, vacuum, and differential pressures. The dual scaled adjustment knob in inches water column and pascals allows changes to the switching pressure to be made without a pressure gauge. The silicone diaphragm and PA 66 body make the series ideal for use with air and other non-combustible gases. Its compact size, adjustment knob and low cost make the T-3000 series perfect choice for HVAC applications.

FEATURES

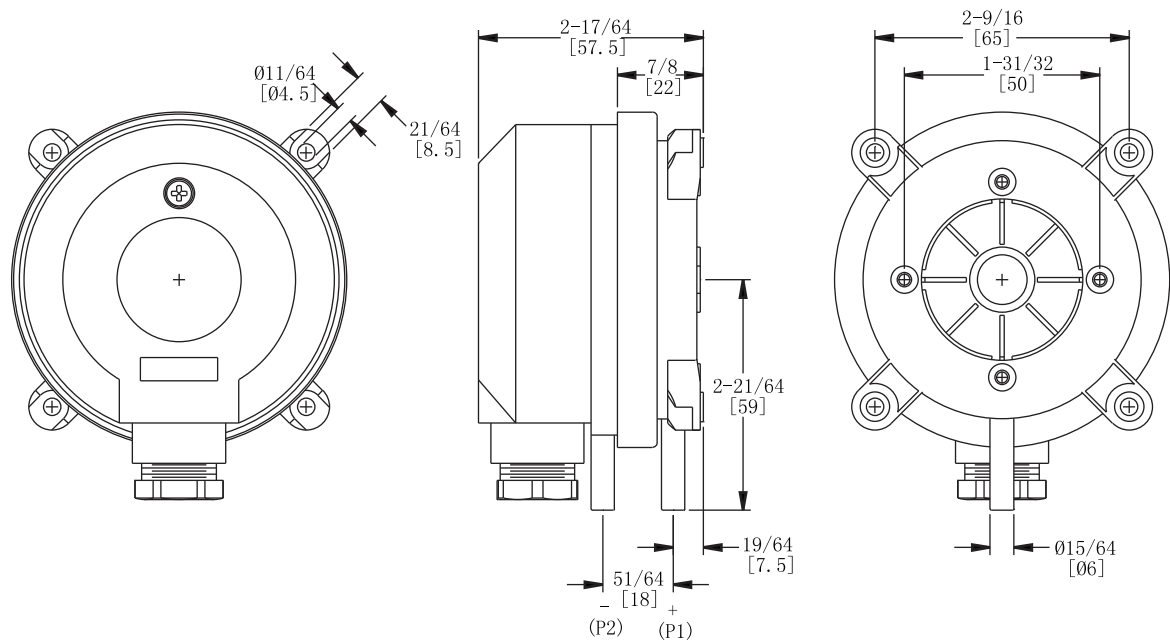
- ✓ For air and non-combustible, compatible gases
- ✓ Dual scaled adjustment knob
- ✓ Low cost
- ✓ Compact in size
- ✓ Excellent for HVAC applications

TECHNICAL FEATURES

Medium	Air and non-combustible, compatible gases
Diaphragm material	Silicone
Housing material	POM
Body material	PA66
Cover material	Polystyrene
Switch type	Single-pole double-throw
Switching rate	6 cycles/min
Electrical rating	Max. 1.5 A res./0.4 A ind./ 250 VAC, 50/60 Hz
Pressure limit	Max 40" WC (10kPa) for all pressure range
Temperature limit	-20 to 85°C
Mounting	Vertical, pressure connection pointing downwards
Process connection	5/16" outer diameter tubing 1/4" inner diameter tubing
Enclosure rating	NEMA 13, IP54
Mechanical working life	Over 10 ⁶ switching operations



DIMENSION/DRAWING



CODES AND REFERENCES

Model	Adjustable Range
T3000-3	0.2 - 3 mBar
T3000-5	0.5 - 5 mBar
T3000-10	1 - 10 mBar
T3000-25	5 - 25 mBar
T3000-50	10 - 50 mBar

I-SYSTEM MEASUREMENT
www.ismesb.com



PRESSURE GAUGE
T-3000 SERIES - DIFFERENTIAL PRESSURE
09-2021 I-SYSTEM 303004

I-SYSTEM
303/004