

PRESSURE GAUGE

T-5000 SERIES - DIFFERENTIAL PRESSURE

Pressure Measurement

& Monitoring



FEATURES

- ✓ For air and non-combustible, compatible gases
- ✓ Easy to read precision scale
- ✓ Low cost
- ✓ Compact in size
- ✓ Zero adjustment screw
- ✓ Over pressure protection
- ✓ Durable and rugged housing

DESCRIPTION

The T-5000 series is designed for high accuracy application, it quickly indicates low air or non-corrosive gas pressures, either positive, negative (vacuum) or differential. The design resists shock, vibration and over-pressures. No manometer fluid to evaporate, freeze or cause toxic or leveling problems.

The T-5000 gauge meets the the industry standard to measure fan and blower pressures, filter resistance, air velocity, furnace draft, pressure drop across orifice plates, liquid levels with bubbler systems and pressures in fluid amplifier or fluidic systems. It also checks gas-air ratio controls and automatic valves, and monitors blood and respiratory pressures in medical care equipment.

TECHNICAL FEATURES

Medium	Air and non-combustible, compatible gases (natural gas option available)
Dial size	4" (DN100)
Housing material	Die cast aluminum case and bezel, with acrylic cover
Accuracy	±2% of full scale
Pressure limit	-20 in Hg. to 15 psig (-0.677 bar to 1.034 bar) MP option; 35 psig (2.41 bar) HP option; 80 psig (5.52 bar)
Overpressure	Relief plug opens at approximately 25 psig (1.72 bar)
Temperature limit	-6.67 to 60°C / -28°C with low temperature option
Mounting	Diaphragm in vertical position
Process connection	1/8" female NPT duplicate high and low pressure taps one pair side and one pair back

I-SYSTEM MEASUREMENT
www.ismesb.com

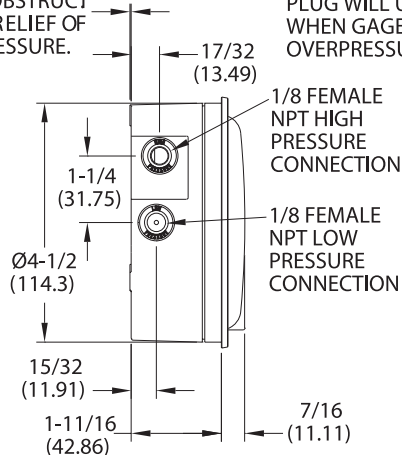
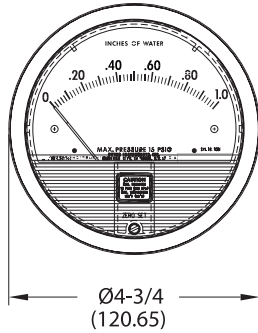


PRESSURE GAUGE
T-5000 SERIES - DIFFERENTIAL PRESSURE
09-2021 I-SYSTEM 303005

I-SYSTEM
303/005

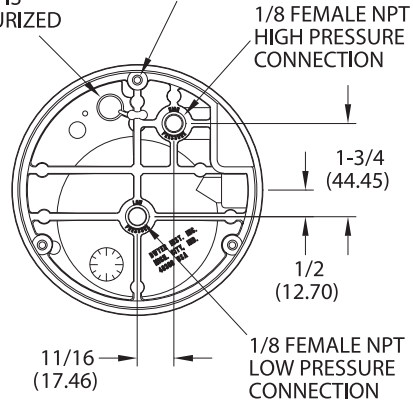
DIMENSION/DRAWING

.025 (.64) SPACE CREATED BY 3 SPACER PADS WHEN SURFACE MOUNTED. DO NOT OBSTRUCT PROVIDES PATH FOR RELIEF OF OVERPRESSURE.



RUBBER PRESSURE RELIEF PLUG WILL UNSEAT ITSELF WHEN GAUGE IS OVERPRESSURIZED

(3) 6-32 X 3/16 (4.76) DEEP HOLES EQUALLY SPACED ON A Ø4-1/8 (104.78) BOLT CIRCLE FOR PANEL MOUNTING



PRESSURE RANGE**Pressure Range (Pascal)**

0 - 30	Pa
0 - 60	Pa
0 - 100	Pa
0 - 125	Pa
0 - 150	Pa
0 - 200	Pa
0 - 250	Pa
0 - 300	Pa
0 - 350	Pa
0 - 400	Pa
0 - 500	Pa
0 - 700	Pa
0 - 750	Pa
0 - 800	Pa
0 - 1000	Pa

Measuring Range (Kilopascal)

0 - 0.1	kPa
0 - 0.2	kPa
0 - 0.3	kPa
0 - 0.5	kPa
0 - 1	kPa
0 - 1.25	kPa
0 - 1.5	kPa
0 - 2	kPa
0 - 2.5	kPa
0 - 3	kPa
0 - 3.5	kPa
0 - 4	kPa
0 - 5	kPa
0 - 6	kPa
0 - 8	kPa
0 - 10	kPa
0 - 12	kPa
0 - 12.5	kPa
0 - 15	kPa
0 - 20	kPa
0 - 25	kPa
0 - 30	kPa
0 - 35	kPa
0 - 40	kPa
0 - 50	kPa
0 - 60	kPa

Pressure Range (mm W.C)

0 - 6	mm W.C
0 - 8	mm W.C
0 - 10	mm W.C
0 - 12	mm W.C
0 - 15	mm W.C
0 - 20	mm W.C
0 - 25	mm W.C
0 - 30	mm W.C
0 - 35	mm W.C
0 - 40	mm W.C
0 - 50	mm W.C
0 - 60	mm W.C
0 - 75	mm W.C
0 - 80	mm W.C
0 - 100	mm W.C
0 - 125	mm W.C
0 - 150	mm W.C
0 - 200	mm W.C
0 - 250	mm W.C

...continued next page



PRESSURE RANGE**Pressure Range (mm W.C)**

0	-	300	mm W.C
0	-	350	mm W.C
0	-	375	mm W.C
0	-	400	mm W.C
0	-	500	mm W.C
0	-	600	mm W.C
0	-	700	mm W.C
0	-	750	mm W.C
0	-	800	mm W.C
0	-	1000	mm W.C
0	-	1200	mm W.C
0	-	1500	mm W.C
0	-	1600	mm W.C
0	-	1800	mm W.C
0	-	2000	mm W.C
0	-	3000	mm W.C
0	-	4000	mm W.C
0	-	5000	mm W.C

Pressure Range (cm W.C)

0	-	1.5	cm W.C
0	-	2	cm W.C
0	-	2.5	cm W.C
0	-	3	cm W.C
0	-	4	cm W.C
0	-	5	cm W.C
0	-	6	cm W.C
0	-	8	cm W.C
0	-	10	cm W.C
0	-	15	cm W.C
0	-	20	cm W.C
0	-	25	cm W.C
0	-	30	cm W.C
0	-	35	cm W.C
0	-	40	cm W.C
0	-	50	cm W.C
0	-	60	cm W.C
0	-	80	cm W.C
0	-	100	cm W.C
0	-	125	cm W.C
0	-	150	cm W.C
0	-	200	cm W.C
0	-	250	cm W.C
0	-	300	cm W.C
0	-	350	cm W.C
0	-	400	cm W.C
0	-	500	cm W.C
0	-	600	cm W.C

Pressure Range (Inch W.C)

0	-	0.20	In W.C
0	-	0.25	In W.C
0	-	0.5	In W.C
0	-	1	In W.C
0	-	2	In W.C
0	-	3	In W.C
0	-	4	In W.C
0	-	5	In W.C
0	-	6	In W.C
0	-	8	In W.C
0	-	10	In W.C
0	-	12	In W.C
0	-	15	In W.C
0	-	20	In W.C
0	-	25	In W.C
0	-	30	In W.C
0	-	40	In W.C
0	-	45	In W.C
0	-	50	In W.C
0	-	60	In W.C
0	-	80	In W.C
0	-	100	In W.C
0	-	120	In W.C
0	-	150	In W.C
0	-	160	In W.C
0	-	180	In W.C
0	-	200	In W.C
0	-	250	In W.C

I-SYSTEM MEASUREMENT
www.ismesb.com



PRESSURE GAUGE
T-5000 SERIES - DIFFERENTIAL PRESSURE

09-2021

I-SYSTEM

303005

I-SYSTEM

303/005