

PRESSURE GAUGE

P-25 - ALL SS BOURDON TYPE (DIN CASE)

Pressure Measurement
& Monitoring



DESCRIPTION

All stainless steel pressure gauge with aluminium black graduation on white background, and aluminium black colored fixed pointer.

Suitable for corrosive environments & gaseous or liquid media that will not obstruct the pressure system. Applicable to various industry, e.g food & beverages, pharmaceutical, cryogenics, chemical & petrochemical, pumps, hydro-cleaning machines, presses, engine compressors etc.

FEATURES

- ✓ Stainless steel case
- ✓ Socket directly welded to case
- ✓ Protection IP 65
- ✓ Dry but fillable version
- ✓ Glycerine filled (option)

TECHNICAL FEATURES

Dial Size	63mm / 100mm
Mounting	Direct Bottom Mounting
Range (Bar)	-1-3, 0-1, 0-2, 0-5, 0-7, 0-10, 0-15, 0-20, 0-25
Connection	1/4" NPT (M) or 1/2" NPT (M)
Accuracy	±1.6% of Full Scale Value
Ambient Temp	-25 to 65°C
Process Temp	Max 300°C
Op Pressure	75% of Scale Value
Over Pressure Limit	130% of Max Scale Value
Case	AISI 304SS, DIN Type
Bezel	AISI 304SS, Bayonet Type
Bourdon & Socket	AISI 316SS
Movement	AISI 304SS
Joint	Tig Argon Arc Welding
Execution	Dry but Fillable
Vent Plug & Gasket	EPDM
Protection Class	IP65

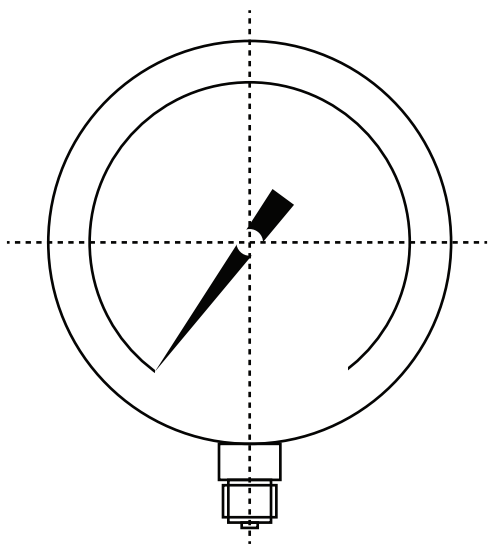
I-SYSTEM MEASUREMENT
www.ismesb.com



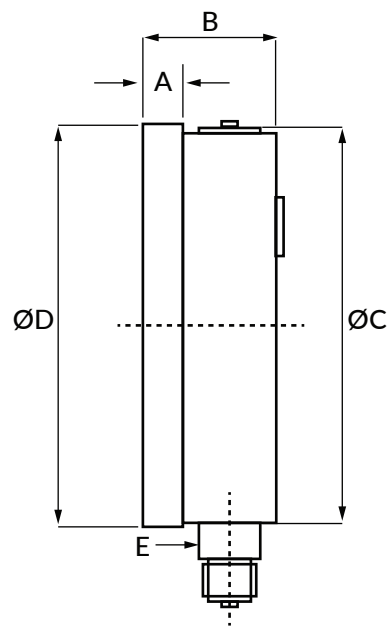
PRESSURE GAUGE
P-25 - ALL SS BOURDON TYPE (DIN CASE)
09-2021 I-SYSTEM 303029

I-SYSTEM
303/029

DIMENSION/DRAWING



Dial Size : 63mm
A : 12mm
B : 32mm
ØC : 61.70mm
ØD : 64mm
E : 14mm



I-SYSTEM MEASUREMENT
www.ismesb.com



PRESSURE GAUGE
P-25 - ALL SS BOURDON TYPE (DIN CASE)
09-2021 I-SYSTEM 303029

I-SYSTEM
303/029