

Damper for pressure gauges A201



- Adjustable damper for liquids, gases and steam
- Operating pressure: Max. 400 bar
- Temperature: Max. 180 ° C

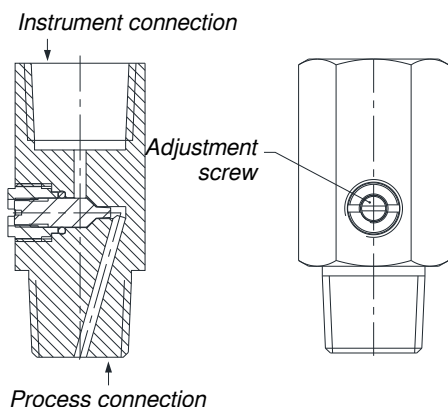
APPLICATIONS

- Protection of pressure gauges against sudden variations in pressure (pressure peaks, pressure surges, pulsating regime, etc.).

DESCRIPTION

A damper A201 protects the pressure measuring instrument against undesirable effects of pulsating regime. It includes an adjustable needle which narrows the pressure channel, to adjust according the operating conditions. Well adjusted on site, it considerably increases the service life of pressure gauges in conditions of use where the pressure varies abruptly such as on compressors, pumps, while preserving precision.

Note: In the case of mechanical vibrations, the use of a pressure gauge oil filled is required.



TECHNICAL FEATURES

Model	Adjustable
Body	316 stainless steel
Gaskets and seals	FPM
Operating temperature	Max. 180 ° C
Operating pressure	Max. 400 bar
Instrument connection	1/2" BSP - F
Process connection	1/2" BSP - M

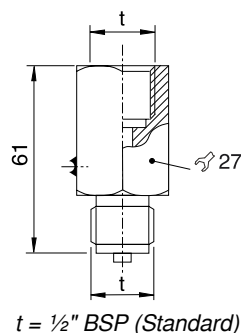
Other fittings on request

EC Conformity: The instrument meets the legal requirements of the current European Directives.

CODE NUMBER AND REFERENCE

Code	Reference	Description
816 460	A 201	Adjustable damper

DIMENSIONS



BAMO INTERNATIONAL

22, Rue de la Voie des Bans · Z.I. de la gare · 95100 ARGENTEUIL
 Tel +33 (0)1 30 25 83 20 Web www.bamo.eu
 Fax +33 (0)1 34 10 16 05 E-mail export@bamo.fr

Damper for pressure gauges
A201

18-06-2020

D-816.02-EN-AB

PR

816-02/1