

# Immersion probe with built-in temperature sensor 9337

- Electrode holder and protector
- Built-in temperature sensor Pt100
- Easy calibration routine
- Adjustable flange or PE collar fitting
- For any electrode PG 13.5
- PVC construction
- Cables: through 2 pressure glands



Connector to built-in Pt 100 sensor

## APPLICATION

This immersion probe 9337 is convenient for pH or ORP measurements in tank, drain, basin, open channel and when the temperature is important in the process. Standard construction is of PVC tube diam. 50 mm.

The probe is designed to avoid electrode damaged during calibration. Electrode protection end is removable from the holder.

Buffer flasks (9011/ 9012/ 9013/ 9015) grip on the holder during the calibration routine.

There is no need to hold the probe during these operations.

Probe and flask can stand on floor.

The electrode is not removed, no risk to break it.

## ASSOCIATED ELECTRODES

Associated electrodes for pH and ORP are described on data-sheet 150-01.

Only electrodes with sealing by PG 13.5 thread could be mounted on our probes.

## TECHNICAL FEATURES

Immersion depth	200 mm, as a minimum
Temperature sensor	Built-in Pt100 Ohm at 0 °C, 3 wires
Length probe	Standard 1 m (from 500 to 3000 mm on request)
Construction	PVC
Head housing	PBT fiber glass reinforced; IP 65
Cable output	Two PG 9
Fitting	Adjustable flange 9358 or PE collar for tube O.D. 50 mm
Operating temperature	55 °C, as a maximum
Recommended cables	Temperature, 3 wire type, shielded, 0.22 mm <sup>2</sup> pH, coaxial cable type 9060

## CODE NUMBERS AND REFERENCES

Code	Reference	Description
130 151	9337 PVC	PVC 1 m long probe With Pt100 sensor for one electrode PG 13.5
130 112	9358 PE	Adjustable PE flange for probes 9336 & 9337 For tube O.D. 50 mm

**BAMO** INTERNATIONAL

22, Rue de la Voie des Bans · Z.I. de la gare · 95100 ARGENTEUIL

Tel +33 (0)1 30 25 83 20 Web [www.bamo.eu](http://www.bamo.eu)

Fax +33 (0)1 34 10 16 05 E-mail [export@bamo.fr](mailto:export@bamo.fr)

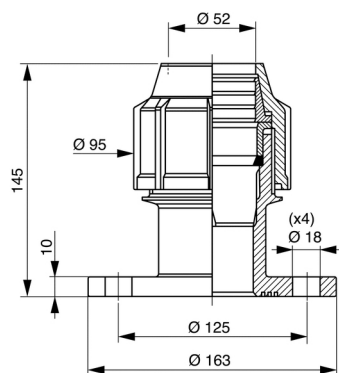
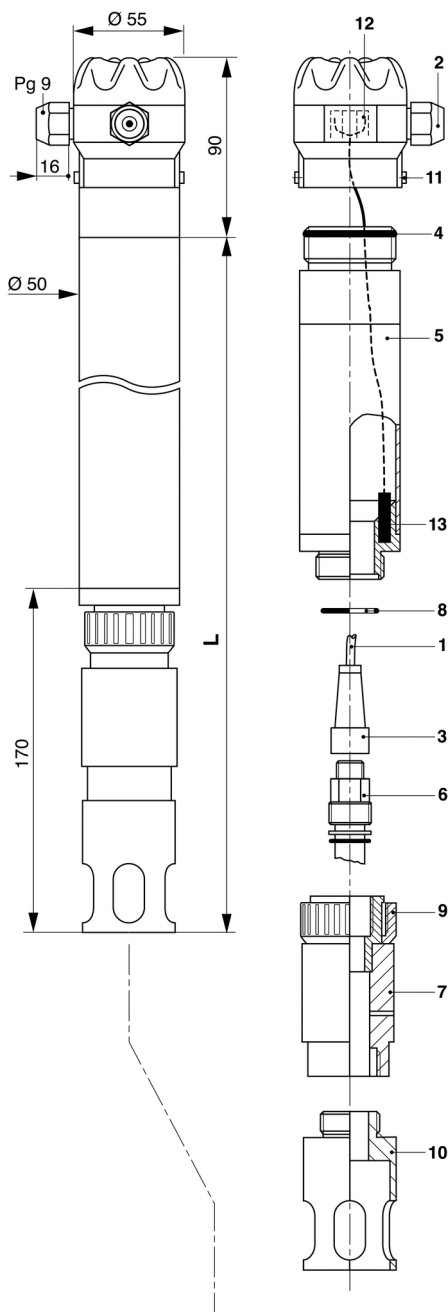
Immersion probe with built-in  
temperature sensor  
**9337**

10-03-2017

D-130.02-EN-AA

pH

130-02/1



## ELECTRODE MOUNTING

1. Introduce the temperature cable through a cable gland of head housing (2).
2. Connect the 3 wires on connector (12), already connected to Pt100 (13).
3. Introduce the pH cable 9060 (1) through the cable gland and probe head (2).
4. Cable must cover inside distance: probe length plus 20 cm.
5. Mount the connector 9054 (3) to the cable (manual msa160-01).
6. Check the seal (4) is on place, then screw probe head (2) on extension tube (5).
7. Ensure that connector goes out from bottom of tube.
8. Install the pH or ORP electrode (6) on the holder (7).
9. Check the O' ring (8) is on place.
10. Screw tightly the connector on the electrode.
11. Pull cable through cable gland, to have electrode holder (7) close to the extension tube.
12. The cable must not be stretched inside the tube.
13. Screw nut (9) keeping holder in its position.
14. Tight firmly this nut by hand, not excessively.
15. Prevent the electrode holder to rotate during this operation.
16. Screw on the electrode protection end (10) by hand.
17. This protective end must be easy to screw off.
18. Screw on the cable gland (head housing).
19. Rotate the head in good position, block it with the 2 screws (11).

## ELECTRODE DISMANTLING

1. Proceed as above on reverse steps; take care not to lose the O-ring (8).

## CALIBRATION

1. You may find detailed information in the instruction manuals of pH monitor.
2. Unscrew the electrode protection end (10). Rinse the electrode with water. Adapt the appropriate buffer flask on the holder.
3. The flask grips on it, our electrodes are protected during sequence calibration.
4. Ending the calibration sequences, screw in the electrode protection.
5. This protection end should kept easy to dismantle, screw it by hand.

**BAMO** INTERNATIONAL

22, Rue de la Voie des Bans · Z.I. de la gare · 95100 ARGENTEUIL  
 Tel +33 (0)1 30 25 83 20 Web www.bamo.eu  
 Fax +33 (0)1 34 10 16 05 E-mail export@bamo.fr

Immersion probe with built-in  
 temperature sensor  
**9337**

10-03-2017

D-130.02-EN-AA

pH

130-02/2