

FLOATING HOLDERS



(a)



(b)

- Floating holders for varying levels
- Type a: for pH immersion probe
- Type b: for hydrocarbons layer probe
- Construction: AISI 316 L float
- With fastening rings

APPLICATIONS

Floating holders allow measurement or detection (pH, hydrocarbons layer thickness) on varying level of fluids, even with great amplitudes. They may be secured by two fastening rings and accept slow stream in rivers, basins, lagoons, lakes.

Examples

- Rainwater retention
- Underground reservoir

PRINCIPLE

Floating holder for pH is annular, in stainless steel, with a great stability. Adjustable (sliding flange) fitting allows adjustment of immersion depth of 9336 pH probe.

For hydrocarbon layer detector, the floating holder is based on 3 stainless steel floats, allowing free movement of hydrocarbon fluids.

Immersion depth of probe is adjusted through the fitting.

On each type there are 2 rings to secure the complete system.

Design is a robust construction for no necessary maintenance.

(a): Floating holder for pH

(b): Floating holder for hydrocarbon fluids survey

Contact us for any specific application.

CODE NUMBERS AND REFERENCES

Code	Description
143 510	Floating holder for pH immersion probe
143 500	Floating holder for hydrocarbon layer probe

(Probes are not included in the supply, to order separately).

BAMO INTERNATIONAL

22, Rue de la Voie des Bans · Z.I. de la gare · 95100 ARGENTEUIL

Tel +33 (0)1 30 25 83 20 Web www.bamo.eu

Fax +33 (0)1 34 10 16 05 E-mail export@bamo.fr

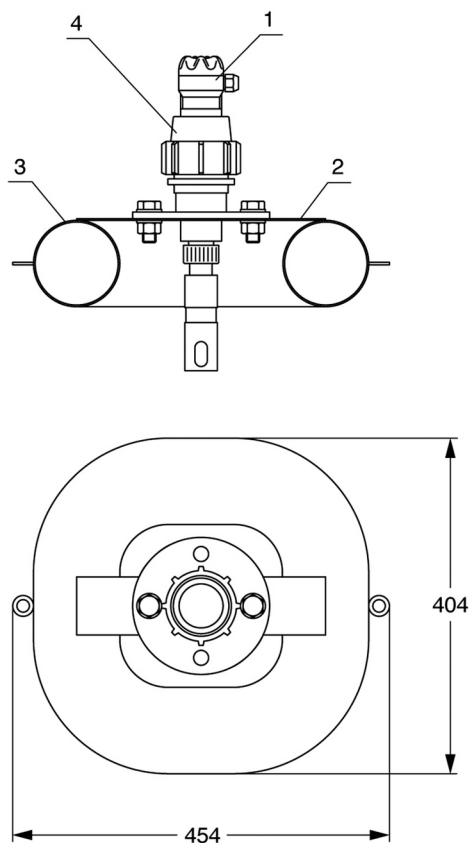
FLOATING HOLDERS

15-03-2017

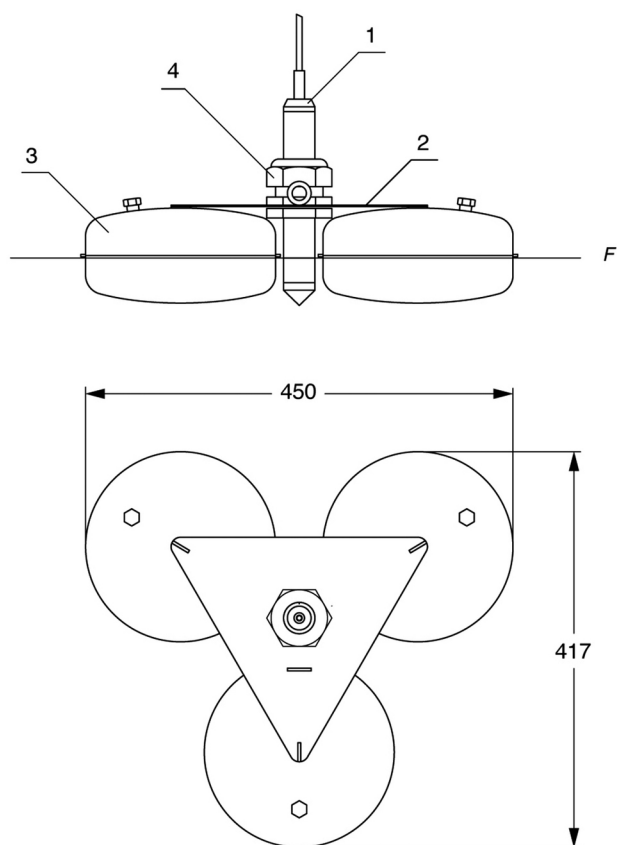
D-143.02-EN-AC

pH

143-02/1



T1



T2

Type a: Floating holder for pH immersion probe

- (1): Immersion probe 9336, height max. 1 m
 - (2): Plate
 - (3): Float AISI 316 L, Ø 100 mm
 - (4): Adjustable fitting
- The probe is not included.

Type b: Floating holder for hydrocarbons layer probe

- (1): Hydrocarbon layer probe
 - (2): Plate
 - (3): Floats AISI 316 L, Ø 200 mm, 3 pieces
 - (4): Adjustable fitting, PG M50 x 1,5
- F: Water line
- The probe is not included.

BAMO INTERNATIONAL

22, Rue de la Voie des Bans · Z.I. de la gare · 95100 ARGENTEUIL

Tel +33 (0)1 30 25 83 20 Web www.bamo.eu

Fax +33 (0)1 34 10 16 05 E-mail export@bamo.fr

FLOATING HOLDERS

15-03-2017

D-143.02-EN-AC

pH

143-02/2