

Probe holder poles 8306



- For immersion probes 9336, 9337 or 9346
- Totally modular
- All stainless steel and aluminum
- Protecting roof for monitor
- Rotation on 360°
- Translation on both axes
- Quick installation

DESCRIPTION

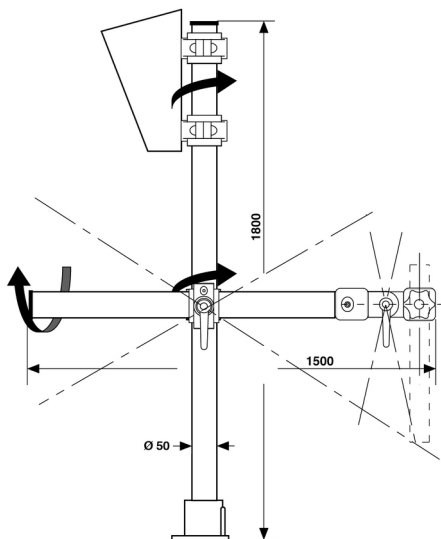
This holder is designed for pH, ORP or dissolved oxygen sensors mounted on immersion probe holders beside a tank, a basin or an open channel (See data-sheets 130-01, 135-01 & 451-01).

It allows adjustable distances and orientation on 360° to clear of barrier, post, border.

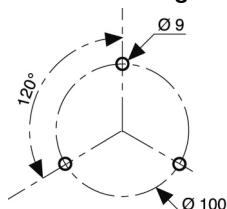
Equipped with a protecting roof, the mounted monitor is accessible for reading and configuration.

Tubes are made of stainless steel, there are oblong holes to pass through the cables. Base and junction devices are made of aluminum.

CODE NUMBERS AND REFERENCES



Ground fittings:



Code	Reference	Description
143 052	8306P	Base of holder 8306 + vertical pole
143 061	8306AUV1	Protecting roof for 1 BAMOPHAR
143 062	8306AUV2	Protecting roof for 2 BAMOPHAR
143 071	8306BS36	Arm holder for 1 probe (9336, 9337 and O.D.O.)
143 072	8306BS46	Arm holder for 1 probe 9346
143 073	8306BD36	Twin arm holders for 2 probes (9336 and/or 9337)

BAMO INTERNATIONAL

22, Rue de la Voie des Bans · Z.I. de la gare · 95100 ARGENTEUIL

Tel +33 (0)1 30 25 83 20 Web www.bamo.eu

Fax +33 (0)1 34 10 16 05 E-mail export@bamo.fr

Probe holder poles
8306

pH

143-01 /1

10-03-2017

D-143.01-EN-AA