

On-line holder for pH or ORP electrode 9400



Type 9423

- On-line holder for 1 electrode
- For full piping
- Materials: PPH or PVDF
- For inserting and removing the electrode (PG 13.5) with full pipe

APPLICATIONS

- Holder for pH/ ORP electrodes for on-line mounting, full pipe

DESCRIPTION

9420 Series holders, with pH or ORP electrodes, allow measurements directly on pipe under pressure. Holders 9423 and 9424 allow assembly and disassembly of the electrode even on full pipe, for calibration.

Note: Assembly or disassembly only when the pipe is not under pressure.

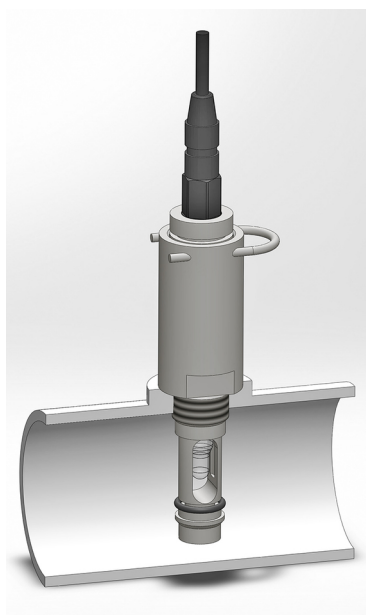
Associated electrodes:

9420 series holders are compatible with combined electrodes (fitting PG 13.5).
Caution: Conductivity cells BF1200 are not compatible with holders 9400 series.
Please contact us for more information and solutions according your operating conditions.

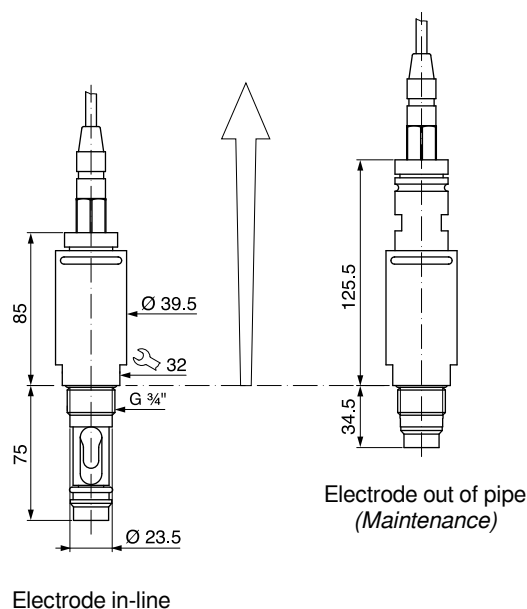
CODE NUMBERS AND REFERENCES

Code	Reference	Materials	Temperature vs. pressure
141 425	9423	PPH / FPM	Max. 70 °C (Atm), Max. 50 °C at 5 bar
141 426	9424	PVDF / FPM	Max. 100 °C at 5 bar

DIMENSIONS



- Fitted on full pipeline



BAMO INTERNATIONAL

22, Rue de la Voie des Bans · Z.I. de la gare · 95100 ARGENTEUIL

Tel +33 (0)1 30 25 83 20 Web www.bamo.eu

Fax +33 (0)1 34 10 16 05 E-mail export@bamo.fr

On-line holder for pH or ORP
electrode
9400

04-03-2020

D-141.01-EN-AC

pH

141-01 /1