

# In-line electrode holder for 1 electrode, pH or ORP 9240



- Holder for 1 electrode
- Construction: in PVC
- Spigot ends Ø 25 mm for solvent welding

## APPLICATIONS

Holder for pH or ORP electrodes to install in line or as a by-pass.

## DESCRIPTION

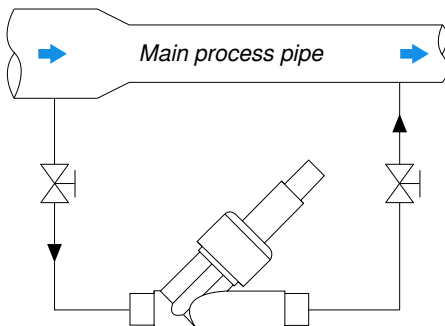
Holder 9240 with suitable electrode allows in-line measurements of pH or ORP under pressure.

Holder is suitable for electrodes with fitting PG 13.5 (see data-sheet 150-01).

For a pipe with a diameter greater than 25 mm, its installation must be done in a bypass, adding a pressure drop (restriction, elbow, valve, etc.) to ensure proper circulation of the liquid around the electrode. It is recommended to install valves, upstream and downstream of the bypass, to allow easiest calibration and maintenance routines.

For a direct on-line measurement, see the holders 9400 series (data-sheet 141.01).

Note: An average flow rate limit to respect is max. 500 l/h



Example as a bypass

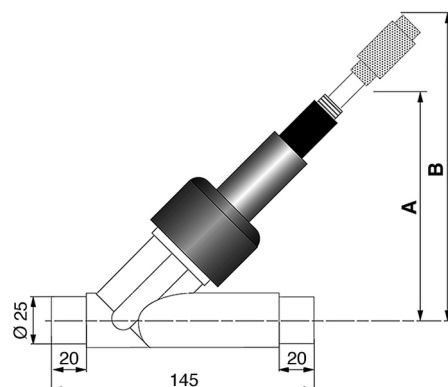
## TECHNICAL FEATURES

Materials	PVC / Transparent PVC
Seal	EPDM
Temperature	0 ... +50 °C
Pressure	Max. 7 bar at 20 °C
Fittings	O.D. 25 mm spigot end, for solvent welding

## CODE NUMBERS AND REFERENCES

Code	Reference	Description
140 600	9240 PVC Y	Te Holder for for 1 electrode PG 13.5

## DIMENSIONS



With coaxial connector 9054:  
A = 140 mm and B = 280 mm

**BAMO** INTERNATIONAL

22, Rue de la Voie des Bans · Z.I. de la gare · 95100 ARGENTEUIL

Tel +33 (0)1 30 25 83 20 Web [www.bamo.eu](http://www.bamo.eu)

Fax +33 (0)1 34 10 16 05 E-mail [export@bamo.fr](mailto:export@bamo.fr)

In-line electrode holder for 1  
electrode, pH or ORP  
**9240**

14-06-2019

D-140.02-EN-AC

pH

140-02/1