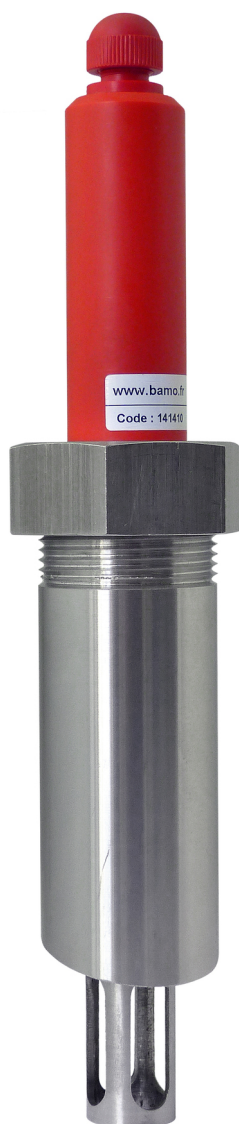


# On-line holder for pH and ORP electrodes 9410



- Holder for 1 electrode
- For stainless steel piping
- Pipe from ND 50 mm
- Wet parts: AISI 316 L; FPM
- Fitting: Adaptor to weld on pipe

## APPLICATIONS

Holder for pH or ORP electrodes PG 13.5, on-line, with full pipe.

## DESCRIPTION

9410 holder with pH or ORP electrodes PG 13.5 allows measurements on-line with full pipe under pressure; for Nominal Diameter of 50 mm or larger.

The fastening system facilitates removal of the measuring electrode for maintenance.

Caution: Pipeline must not be under pressure during removal of electrode for calibration routine.

### Associated electrodes:

The holder is convenient for combined electrodes with standard fitting PG 13.5. We may help you on choosing the right type of electrode according operating conditions; See also data-sheet 150-01.

## TECHNICAL FEATURES

Construction	AISI 316 L
Sealing	FPM
Fitting	Ø 41.9 mm; To weld on pipe
Temperature limit	110 °C Max.
Pressure limit	16 bar Max.

## CODE NUMBER AND REFERENCE

Code	Reference	Description
141 410	9410	AISI 316 L holder, adaptor to weld on pipe

**BAMO** INTERNATIONAL

22, Rue de la Voie des Bans · Z.I. de la gare · 95100 ARGENTEUIL

Tel +33 (0)1 30 25 83 20 Web [www.bamo.eu](http://www.bamo.eu)

Fax +33 (0)1 34 10 16 05 E-mail [export@bamo.fr](mailto:export@bamo.fr)

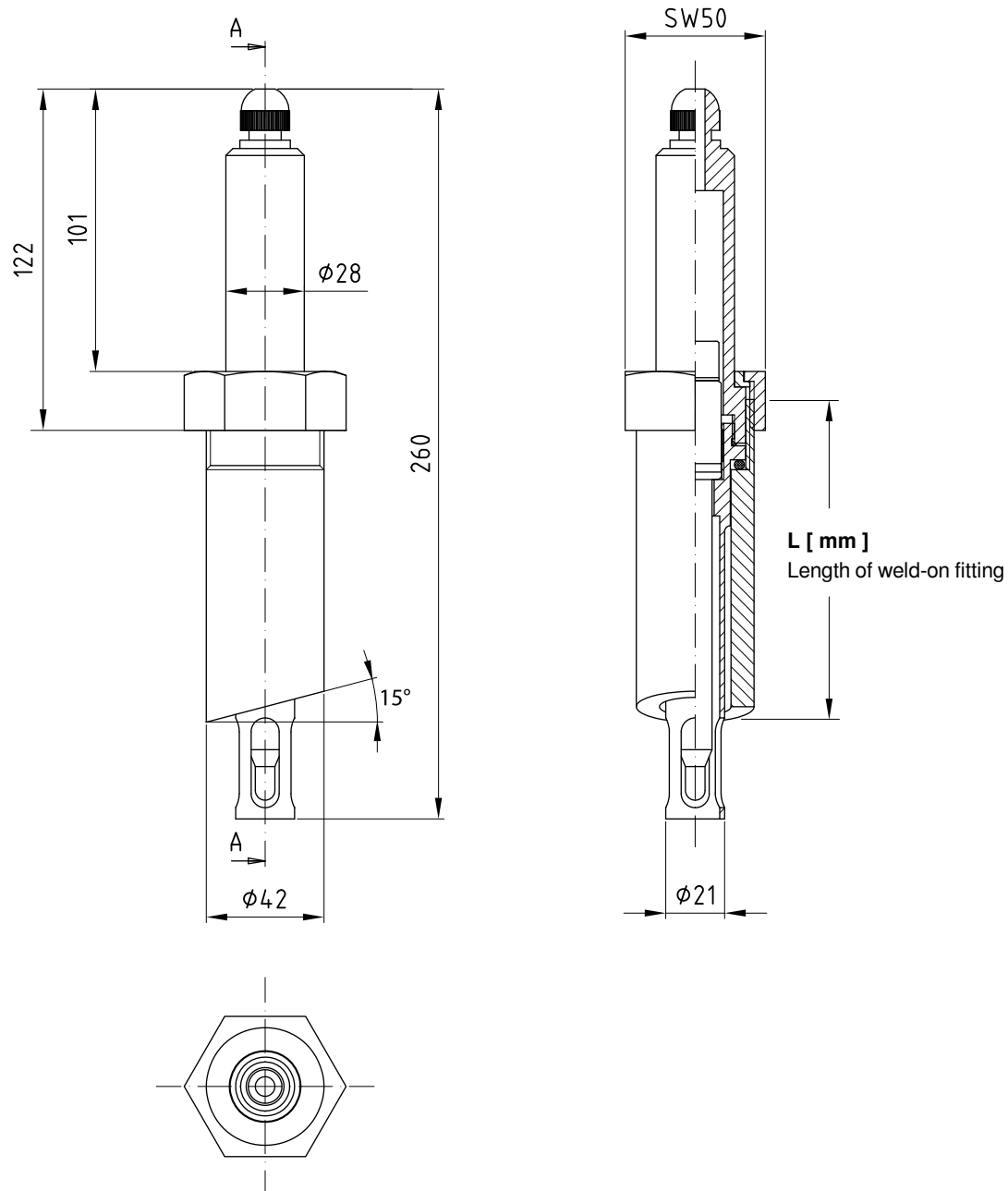
On-line holder for pH and ORP  
electrodes  
**9410**

17-05-2019

D-141.02-EN-AD

pH

141-02/1



	DN 50	DN 65	DN 80	DN 100	DN 110	DN 125	DN 150	DN 200	DN > 200
L [ mm ]	115	108	100	90	85	78	65	40	40

**BAMO** INTERNATIONAL

22, Rue de la Voie des Bans · Z.I. de la gare · 95100 ARGENTEUIL  
 Tel +33 (0)1 30 25 83 20 Web www.bamo.eu  
 Fax +33 (0)1 34 10 16 05 E-mail export@bamo.fr

On-line holder for pH and ORP  
 electrodes  
**9410**

17-05-2019

D-141.02-EN-AD

pH

141-02/2