

DISSOLVED OXYGEN

DO ANALYZER - DWA2000A

Liquid Analysis

Measurement & Monitoring



DESCRIPTION

The DWA2000A microprocessor based Dissolved Oxygen controller is designed for ideal application in water and waste water treatment facilities measuring DO parameters. This compact case has the built-in high brightness 7-segment, manual/auto calibration, automatic temperature compensation, relay contact output (3 phase). It is capable of reading and transmitting data received directly from a measurement sensor.

This instrument is applicable to various field, e.g: municipal water, WTP, STP, combine purifying tank, pulp and paper industry, chemical process industry, livestock waster water treatment plan, etc.

FEATURES

- ✓ Panel mounted microprocessor
- ✓ Auto temperature compensation
- ✓ Relay output contact
- ✓ High luminous 7-segment
- ✓ Auto cleaning control function
- ✓ Isolated 4-20mA output
- ✓ User friendly, easy maintenance
- ✓ SPAN approved product

TECHNICAL FEATURES

Model	DWA-2000A-DO
Mesuring range	0 to 20ppm (Resolution: 0.01 mg/l)
Channel	Single channel
Measuring method	Polarography, galvanic capable
Display	LED display with backlighted
Key Pad	Membrane keypad 4 buttons
3 Contact Ouput	High, low & cleaning contact
Signal Output	Isolated 4-20mA
Power Supply	220V AC 50/60Hz
Accuracy	±1% of F.S.
Enclosure protection	IP54
Controller dimension	96 (W) x 96 (H) x 125 (D) mm
Temperature limit	-20 to 70°C (controller) / 0 to 80°C (sensor)
Sensor body material	PPS (diaphragm non-replaceable)
Sensor pressure limit	4 bar max
Temperature element	PT1000

I-SYSTEM MEASUREMENT
www.ismesb.com



DISSOLVED OXYGEN
DO ANALYZER - DWA2000A

11-2021

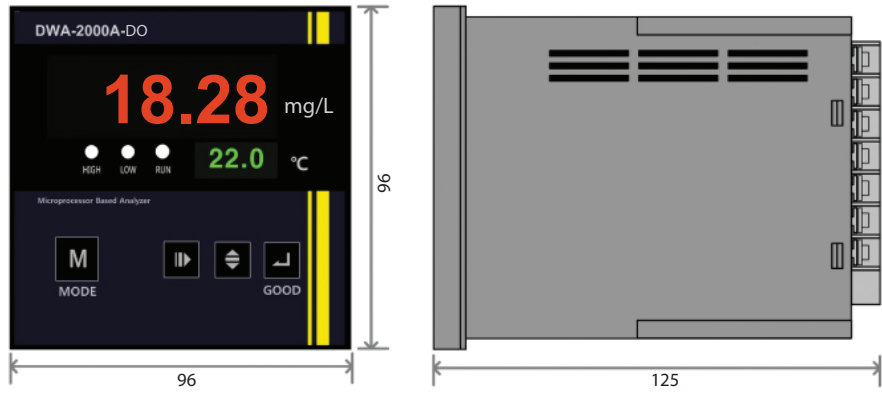
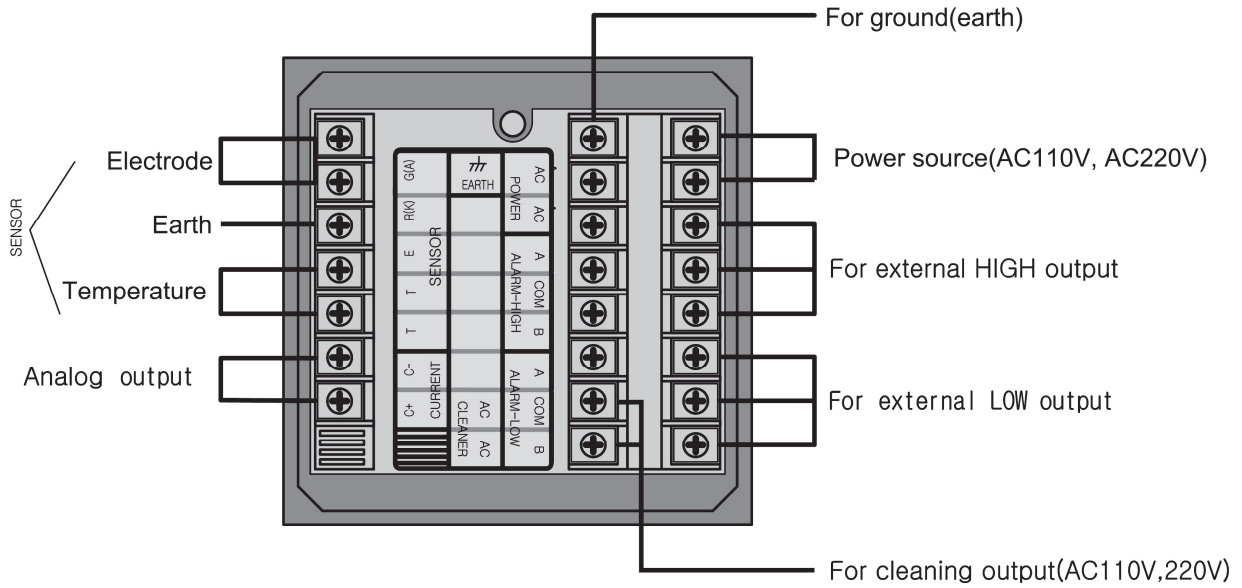
I-SYSTEM

504003

I-SYSTEM

504/003

DIMENSION/DRAWING



External Dimension

I-SYSTEM MEASUREMENT
www.ismesb.com



DISSOLVED OXYGEN
DO ANALYZER - DWA2000A
I-SYSTEM
11-2021 504003

I-SYSTEM
504/003