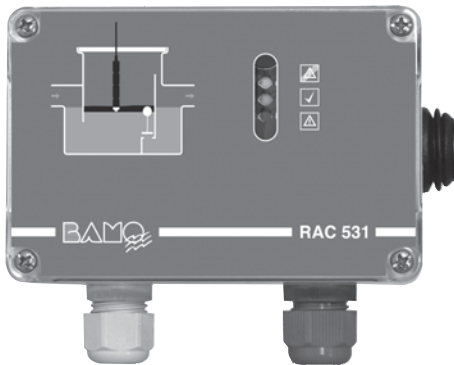


Level detection for oil-water separators

RAC 531



- Survey of oil-water separator
- Wall mounting cabinet, IP 65
- Easy fitting, intuitive configuration
- Detection of highest hydrocarbon layer thickness
- Relay output, changeover contact
- Audible and lighting alarm
- OEM version on request
- Certification: ATEX certified




APPLICATION

- Monitoring of hydrocarbon level in oil-water separators.

PRINCIPLE

RAC 531 is designed for the monitoring of hydrocarbon fluids separators. With sensor, OP/10 (OP/5) the alarm device detects when the maximum thickness is reached.

Status display, from LED, on front panel:

- Yellow LED  -> Alarm occurred, not yet reset
- Green LED  -> Normal monitoring status
- Red LED  -> Alarming status

Pictograms
(front panel)

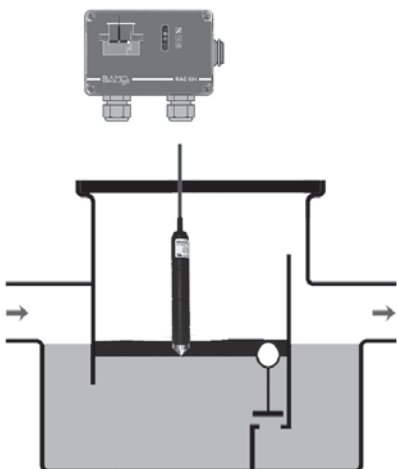
The alarm device has a built-in buzzer. A jumper may disable its function; in this configuration, the lighting alarm and relay output inform the current ALARM status to operator.

The alarm device has an auto-diagnostic of measuring loop and of device integrity. An alarm signal occurs in case of dysfunction.

There are three marks on the sensor for an easy fitting according to highest hydrocarbon layer thickness.

CODE NUMBERS AND REFERENCES

Code	Reference	Designation
531 950	RAC 531	Alarming unit, 230 V AC, Wall mounting, IP 65, 120x80x55 mm
531 101	OP/5	Hydrocarbon fluid layer thickness sensor, 5 m long cable
531 102	OP/10	Hydrocarbon fluid layer thickness sensor, 10 m long cable



BAMO MESURES

22, Rue de la Voie des Bans - Z.I. de la Gare - 95100 ARGENTEUIL

Tél : (+33) 01 30 25 83 20 - Web : www.bamo.fr

Fax : (+33) 01 34 10 16 05 - E-mail : info@bamo.fr

Level detection
for oil-water separators

RAC 531

17-03-2014

531 I1 04 A

NIV

531-04/1

TECHNICAL FEATURES

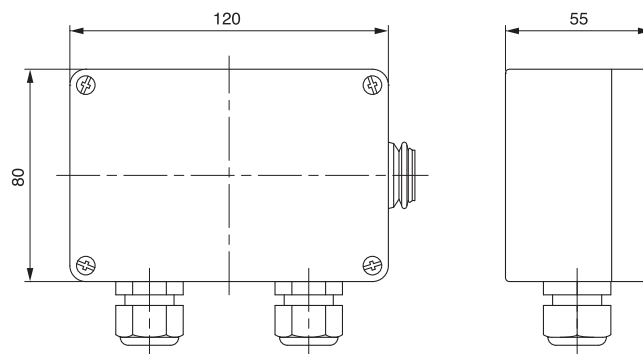
RAC 531 – Alarming unit

Main power supply:	230 V – 50/60 Hz ± 10 %
Power consumption:	~ 2 W
Housing protection:	IP65, according EN 60529
Temperature limits:	-20...+60°C
Housing material:	Polycarbonate cabinet; 120x80x55 mm
Sensor input:	For 1 sensor, detection for hydrocarbon fluids layer thickness
Monitoring:	The alarm device NIVOIL has an auto-diagnostic of measuring loop and system integrity.
Display and signals:	Green LED for normal status Yellow LED when alarm occurred and not yet reset Red LED for alarming status Built-in audible alarm, disabled with a jumper
Operating:	Through 1 push button for diagnostic test and alarm clearance
Output:	1 relay output, 230 V AC, 3A, potential free change over contact

Ex protection class: **Ex II (1) G [Ex ia Ga] IIB/IIA**
ATEX Certificate: **BVS 12 ATEX E 019** / This cabinet must be fitted in the safe area

CE Marks: According to Low Voltage Guidelines: 2006/95/CEE) and EMV Guidelines: 89/336/CEE

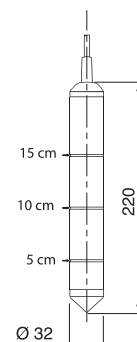
To use, only, with OP/5 or OP/10 sensor (BVS 07 ATEX E 091 X)



OP/5 – Hydrocarbon layer thickness sensors

Sensor type:	Capacitive, high frequency
Wetted parts:	Antistatic PE stem; Stainless steel end
Cable:	Elastomer resistant to oils and hydrocarbon fluids, blue colour; wires 2x1 mm ² , connections on screw connectors; 5 or 10 m long cable (other lengths on request - maximal length is 300 m)
Protection:	IP68 acc. EN 60529
Temperature limits:	-20...+60°C

Ex protection class: **Ex II 1 G Ex ia IIB T4**
ATEX certificate: **BVS 07 ATEX E 091 X** / This sensor may be fitted in zone 0



BAMO MESURES

22, Rue de la Voie des Bans - Z.I. de la Gare - 95100 ARGENTEUIL

Tél : (+33) 01 30 25 83 20 - Web : www.bamo.fr

Fax : (+33) 01 34 10 16 05 - E-mail : info@bamo.fr

Level detection
for oil-water separators

RAC 531

17-03-2014

531 I1 04 A

NIV

531-04/2