

Electrically actuated 3-way ball valves VE3V S4-PVC



- PVC ball valves ND 10 to ND 50
- In-line pattern
- Electric actuator, position index, manual emergency action

DESCRIPTION

Electrically actuated 3-way ball valves are useful to distribute or to mix liquids. These valves are designed for aggressive liquids; Assistance with manual operation for maintenance or emergency (with position index). Actuator power supply is switched off before a manual operation. Operating modes: see data-sheet D-913.20.

TECHNICAL FEATURES

3-way ball valve:

Body	PVC
Sealing	EPDM or FPM
Ball shape T or L	PVC
Seat seals	PTFE
Process connections	Unions (sockets; for solvent welding)
Pressure limit	10 bar

Electric actuator

Operation	90°
Emergency operation	Manual operating
Duty rating	30 %
Protection	IP 65
Electrical connections	1 cable gland ISO M20 DIN 43650 plug; 3-wire + earth
Power	15 W
Power supply	100 ... 240 V AC - 50/60 Hz and 100 ... 350 V DC or 24 V AC - 50/60 Hz and 24 V DC

OPTIONS *On request*

EC Conformity: The device meets the legal requirements of the current European Directives.

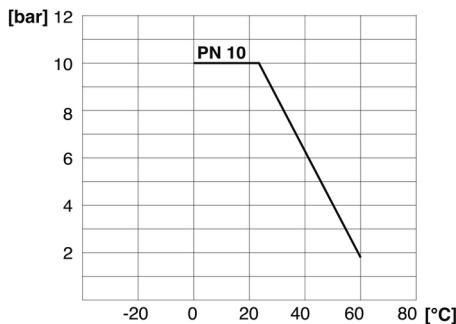


Diagram: Pressure vs. Temperature

BAMO INTERNATIONAL

22, Rue de la Voie des Bans · Z.I. de la gare · 95100 ARGENTEUIL
Tel +33 (0)1 30 25 83 20 Web www.bamo.eu
Fax +33 (0)1 34 10 16 05 E-mail export@bamo.fr

Electrically actuated 3-way
ball valves
VE3V S4-PVC

15-11-2019

D-914.02-EN-AE

PLAS

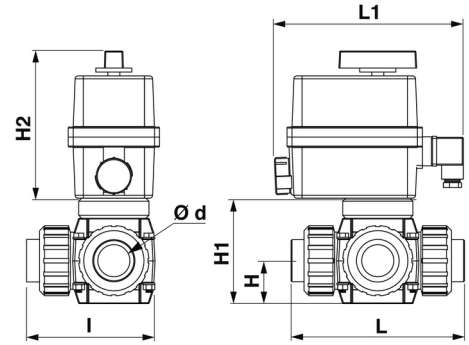
914-02/1

CODE NUMBERS AND REFERENCES

DN	d	L shape				T shape			
		24 V AC & 24 V DC		100 ... 240 V AC & 100 ... 350 VDC		24 V AC & 24 V DC		100 ... 240 V AC & 100 ... 350 VDC	
		EPDM sealing	FPM sealing	EPDM sealing	FPM sealing	EPDM sealing	FPM sealing	EPDM sealing	FPM sealing
10	16	914 041	914 048	914 055	914 062	914 069	914 076	914 083	914 090
15	20	914 042	914 049	914 056	914 063	914 070	914 077	914 084	914 091
20	25	914 043	914 050	914 057	914 064	914 071	914 078	914 085	914 092
25	32	914 044	914 051	914 058	914 065	914 072	914 079	914 086	914 093
32	40	914 045	914 052	914 059	914 066	914 073	914 080	914 087	914 094
40	50	914 046	914 053	914 060	914 067	914 074	914 081	914 088	914 095
50	63	914 047	914 054	914 061	914 068	914 075	914 082	914 089	914 096

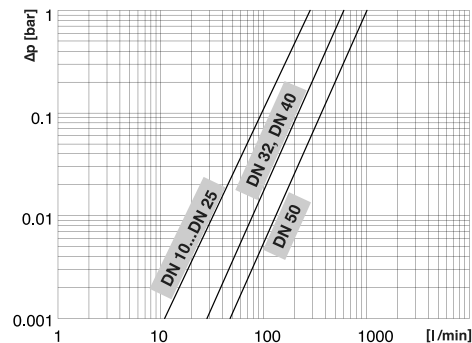
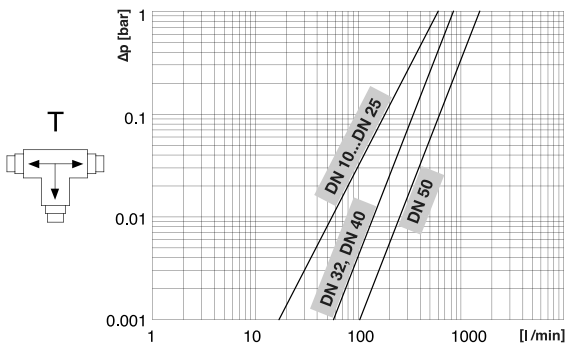
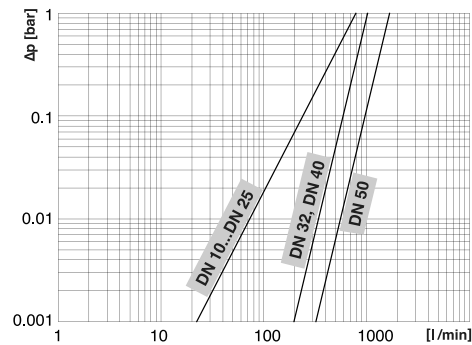
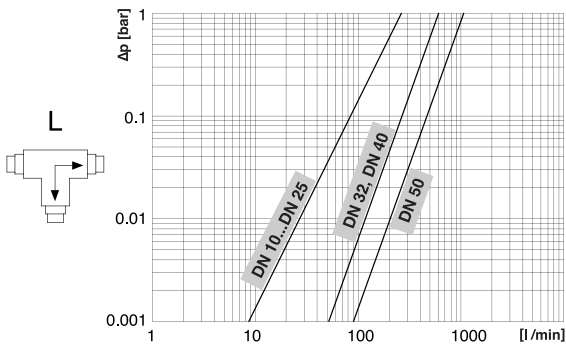
DIMENSIONS (mm)

DN	d	H	H1	H2	L	L1	I	
10	16	33	86	148	138	190	95	R20
15	20				163			
20	25	169						
25	32	222						
32	40	231						
40	50	264						
50	63							



PRESSURE LOSS

Diagram: Pressure loss vs. Flow (at 20 °C)



BAMO INTERNATIONAL

22, Rue de la Voie des Bans · Z.I. de la gare · 95100 ARGENTEUIL
 Tel +33 (0)1 30 25 83 20 Web www.bamo.eu
 Fax +33 (0)1 34 10 16 05 E-mail export@bamo.fr

Electrically actuated 3-way
 ball valves
VE3V S4-PVC

15-11-2019

D-914.02-EN-AE

PLAS

914-02/2