

Electric 3-way ball valves VE3V S4-PPH



- PPH valves from ND 10 up to ND 50
- Radial mounting and dismounting
- Electric actuator with pointer and emergency manual override

DESCRIPTION

Electrically actuated 3-way ball valves allow many possibilities of controlling the direction of the fluid(s) in a piping system. These valves are suitable for applications with aggressive liquids, with a pointer, with a manual operating for emergency. Actuator power supply is switched off before a manual operation All operating modes (according ball bores) are described in the data-sheet 913-20.

TECHNICAL FEATURES

3-way ball valve:

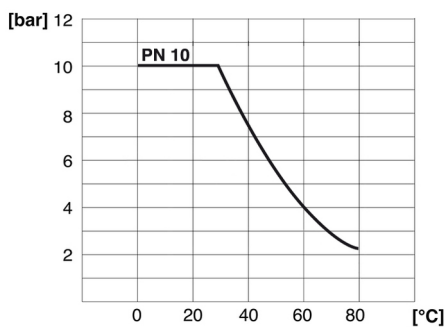
Body	PPH
Seals	EPDM or FPM
Ball bores in L or T	PPH
Ball seat	PTFE
Fittings	Unions (socket ends; for fusion welding)
Pressure limit	10 bar at 20 °C

Electric actuator:

Emergency operation	Manual operating
Duty rating	30 %
Protection	IP 65
Connections	1 Cable gland M20 - ISO 1 connector 3 poles + ground, DIN 43650
Consumption	15 W
Multi-voltage power supplies	Or 100 ... 240 V AC and 100 ... 350 V DC Or 24 V AC 50/60 Hz and 24 V DC

OPTIONS *On request*

EC Conformity: The instrument meets the legal requirements of the current European Directives.



Pressure vs. Temperature

BAMO INTERNATIONAL

22, Rue de la Voie des Bans · Z.I. de la gare · 95100 ARGENTEUIL
Tel +33 (0)1 30 25 83 20 Web www.bamo.eu
Fax +33 (0)1 34 10 16 05 E-mail export@bamo.fr

Electric 3-way ball valves
VE3V S4-PPH

01-07-2020

D-914.05-EN-AA

PLAS

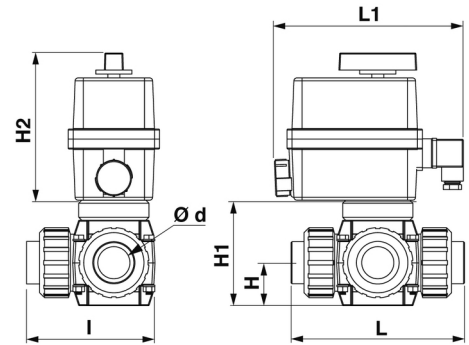
914-05/1

CODE NUMBERS AND REFERENCES

ND	d	Ball, L shape				Ball, T shape			
		24 V AC & 24 V DC		100 ... 240 V AC & 100 ... 350 V DC		24 V AC & 24 V DC		100 ... 240 V AC & 100 ... 350 V DC	
		EPDM seals	FPM seals	EPDM seals	FPM seals	EPDM seals	FPM seals	EPDM seals	FPM seals
10	16	914 341	914 348	914 355	914 362	914 369	914 376	914 383	914 390
15	20	914 342	914 349	914 356	914 363	914 370	914 377	914 384	914 391
20	25	914 343	914 350	914 357	914 364	914 371	914 378	914 385	914 392
25	32	914 344	914 351	914 358	914 365	914 372	914 379	914 386	914 393
32	40	914 345	914 352	914 359	914 366	914 373	914 380	914 387	914 394
40	50	914 346	914 353	914 360	914 367	914 374	914 381	914 388	914 395
50	63	914 347	914 354	914 361	914 368	914 375	914 382	914 389	914 396

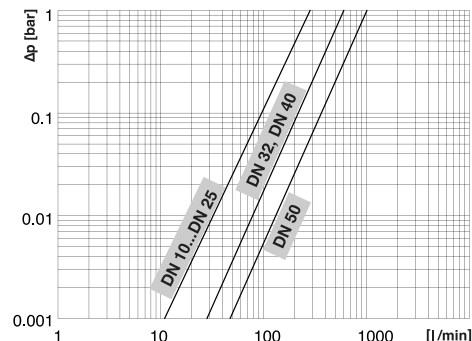
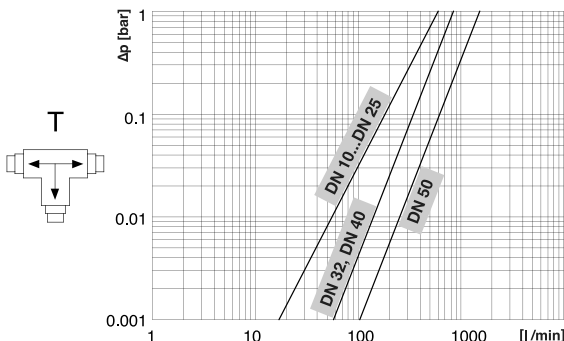
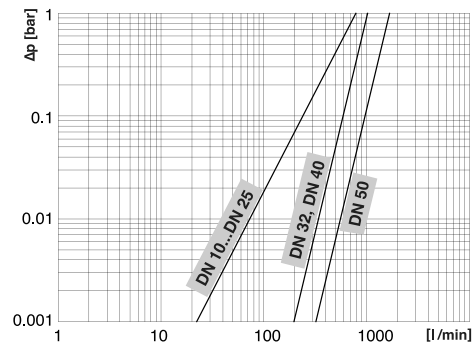
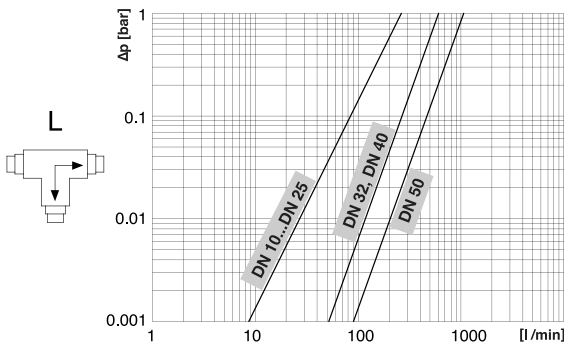
DIMENSIONS [mm]

ND	d	H	H1	H2	L	L1	I
10	16	33	86	148	138	190	95
15	20						
20	25	40	100		163		116
25	32	43	106		169		119
32	40	51	130		222		161
40	50	56	155		231		166
50	63	64	168		264		192



PHYSICAL FEATURES

Pressure drop vs. flow (Water 20°C)



BAMO INTERNATIONAL

22, Rue de la Voie des Bans · Z.I. de la gare · 95100 ARGENTEUIL
 Tel +33 (0)1 30 25 83 20 Web www.bamo.eu
 Fax +33 (0)1 34 10 16 05 E-mail export@bamo.fr

Electric 3-way ball valves
VE3V S4-PPH

01-07-2020

D-914.05-EN-AA

PLAS

914-05/2