

# Electrically actuated 3-way PVDF ball valves VE3V S4-PVDF



- PVDF valves from ND10 up to ND50
- Radial mounting and dismounting
- Electric actuator with position pointer and manual operating for emergency

## DESCRIPTION

These 3-way ball valves, with electric actuator, are useful for redirecting or to stop the flow of liquids in piping systems. These valves are designed for aggressive liquids; Assistance with manual operation for maintenance or emergency (plus position pointer).

Actuator power supply is switched off before a manual operation. Operating modes, bore shapes L or T: see data-sheet da913-20.

## TECHNICAL FEATURES

### 3-way ball valves:

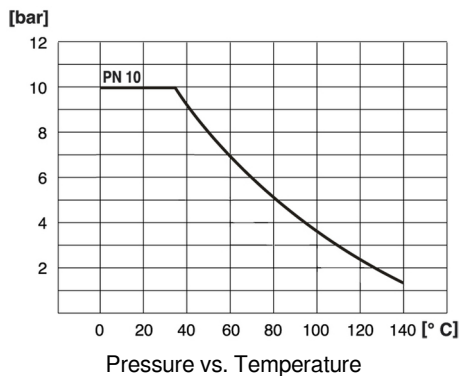
Body	PVDF
Seals	FPM
Ball, T or L bore shape	PVDF
Ball seat	PTFE
Fittings	Unions, socket ends for fusion welding
Pressure limit	10 bar

### Electric actuators:

Emergency operation	Manual operating
Duty rating	30 %
Protection	IP 65
Connections	1 cable gland ISO M20 DIN 43650 plug; 3-wire + earth
Consumption	15 W
Power supply	100 ... 240 V AC 50/60 Hz and 100 ... 350 V DC or 24 V AC 50/60 Hz and 24 V DC

OPTIONS *On request*

**EC Conformity: The instrument meets the legal requirements of the current European Directives.**

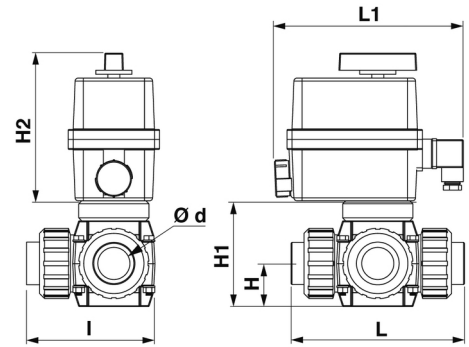


## CODE NUMBERS AND REFERENCES

ND	d	Ball bore L	Ball bore T	Ball bore L	Ball bore T
		24 V AC and 24 V DC		100 ... 240 V AC and 100 ... 350 V DC	
10	16	914 621	914 635	914 628	914 642
15	20	914 622	914 636	914 629	914 643
20	25	914 623	914 637	914 630	914 644
25	32	914 624	914 638	914 631	914 645
32	40	914 625	914 639	914 632	914 646
40	50	914 626	914 640	914 633	914 647
50	63	914 627	914 641	914 634	914 648

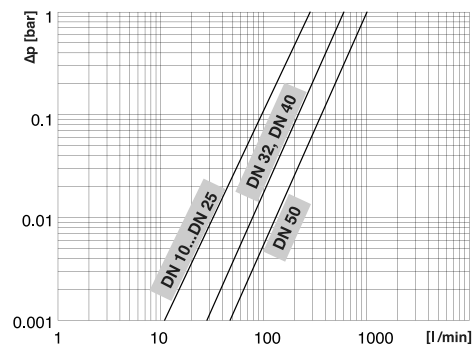
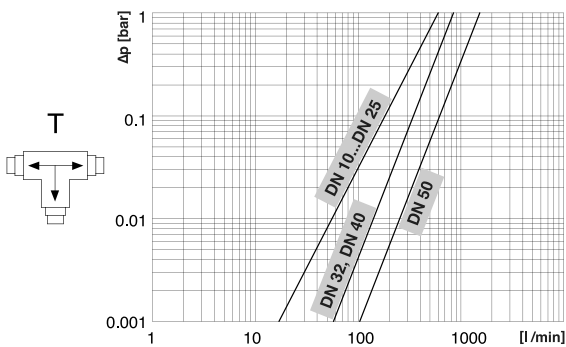
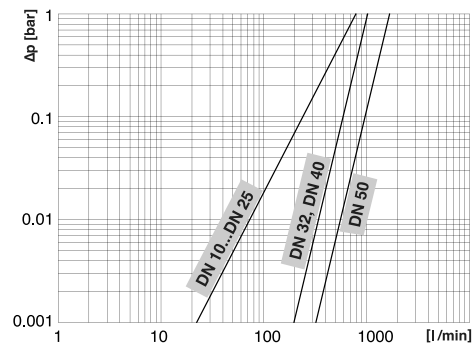
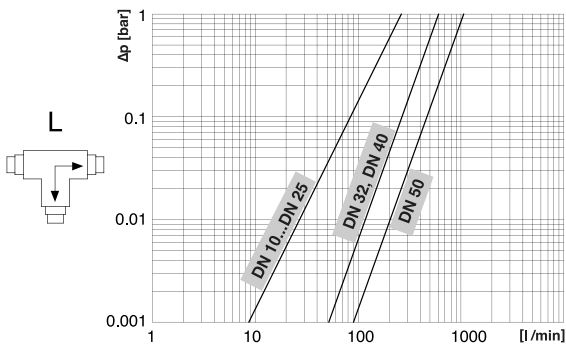
## DIMENSIONS [mm]

ND	d	H	H1	H2	L	L1	I	
10	16	33	86	148	138	190	95	R20
15	20							
20	25	163						
25	32	169						
32	40	222						
40	50	231						
50	63	264						



## PHYSICAL FEATURES

Pressure drop vs. flow (water at 20 °C)



**BAMO** INTERNATIONAL

22, Rue de la Voie des Bans · Z.I. de la gare · 95100 ARGENTEUIL  
 Tel +33 (0)1 30 25 83 20 Web www.bamo.eu  
 Fax +33 (0)1 34 10 16 05 E-mail export@bamo.fr

Electrically actuated 3-way  
 PVDF ball valves  
**VE3V S4-PVDF**

14-11-2019

D-914.08-EN-AB

**PLAS**

**914-08/2**