

Manually operated 2-way ball valves, water series VM2V CR



- Radial mounting and dismounting
- 100% full flow
- Maintenance free

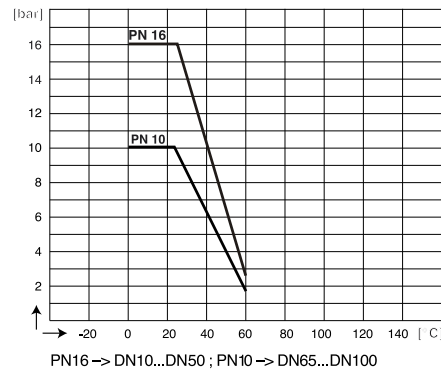
DESCRIPTION

VM2V CR valves are ideal for water applications. The ball seat in PTFE procures a long service life.

TECHNICAL FEATURES

Body PVC
 Seals EPDM or FPM
 Ball PVC
 Ball seat PTFE
 Fittings PVC Unions (socket ends)

Pressure vs. Temperature



EC Conformity: The instrument meets the legal requirements of the current European Directives.

CODE NUMBERS AND REFERENCES

Manually operated 2-way ball valves			
ND	Code with EPDM seals	Code with FPM seals	Reference
10	938 001	938 011	VM2V CR - d 16
15	938 002	938 012	VM2V CR - d 20
20	938 003	938 013	VM2V CR - d 25
25	938 004	938 014	VM2V CR - d 32
32	938 005	938 015	VM2V CR - d 40
40	938 006	938 016	VM2V CR - d 50
50	938 007	938 017	VM2V CR - d 63
65	938 008	938 018	VM2V CR - d 75
80	938 009	938 019	VM2V CR - d 90
100	938 010	938 020	VM2V CR - d 110

Other fittings on request:
 Unions with female threaded ends, flanges, PE fittings,

BAMO INTERNATIONAL

22, Rue de la Voie des Bans · Z.I. de la gare · 95100 ARGENTEUIL
 Tel +33 (0)1 30 25 83 20 Web www.bamo.eu
 Fax +33 (0)1 34 10 16 05 E-mail export@bamo.fr

Manually operated 2-way ball
 valves, water series
VM2V CR

26-11-2019

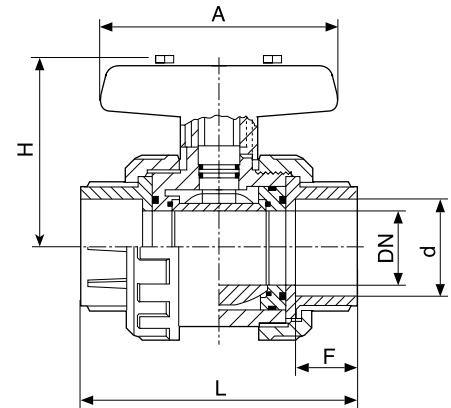
D-938.03-EN-AA

PLAS

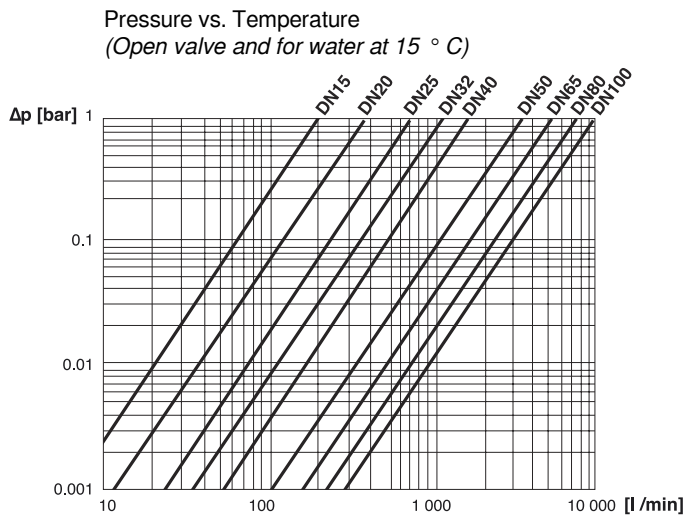
938-03/1

DIMENSIONS [mm]

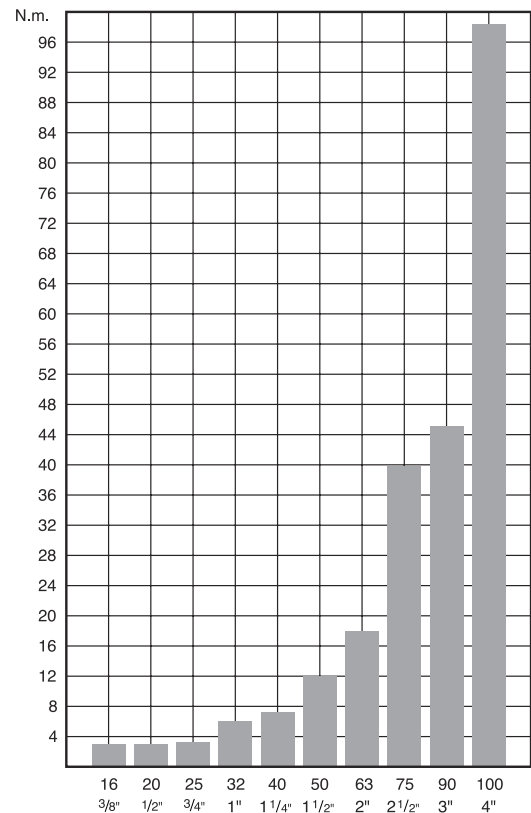
ND	d	A	F	H	L	Mass [kg]
10	16	85	14	55.2	97.2	0.170
15	20		16			0.166
20	25	99	19	56.5	103.5	0.221
25	32		22	66.7	106.2	0.330
32	40	128	26	71.55	141	0.491
40	50		31	88.8	147.7	0.828
50	63	184	38	95.35	162	1.233
65	75		44	135.3	232.6	2.749
80	90	275	51	138.95	244.8	3.712
100	110		61	176	308.3	7.510



PHYSICAL FEATURES



Handling torque vs. size



BAMO INTERNATIONAL

22, Rue de la Voie des Bans · Z.I. de la gare · 95100 ARGENTEUIL
 Tel +33 (0)1 30 25 83 20 Web www.bamo.eu
 Fax +33 (0)1 34 10 16 05 E-mail export@bamo.fr

Manually operated 2-way ball valves, water series
VM2V CR

26-11-2019

D-938.03-EN-AA

PLAS

938-03/2