

Pneumatic butterfly valve single or double acting VPP FE-PVC



- PVC valve from ND 50 up to ND 200
- Radial mounting and dismounting
- Pneumatic actuator
Single or double acting,
Single acting: or N.C., or N.O.
- Position pointer
- **OPTIONS:**
Limit switches box
Pilot valve

DESCRIPTION

These butterfly valves with pneumatic actuator single acting (or N.C., or N.O.) or double acting, allow stop the flow of liquid in piping system. Wet parts are only the seat, seals and the disk. These valves are suitable for applications even with aggressive liquids.

TECHNICAL FEATURES

Butterfly valve :

Body	PVC
Seat and seals	EPDM
Disk	PVC
Wafer mounting	Between flanges

Pneumatic actuator:

Models	Single acting N.O., or single acting N.C., or double acting
Operating pressure	Min. 6 bar; Max. 8 bar
Fittings	BSPF 1/4" (female)

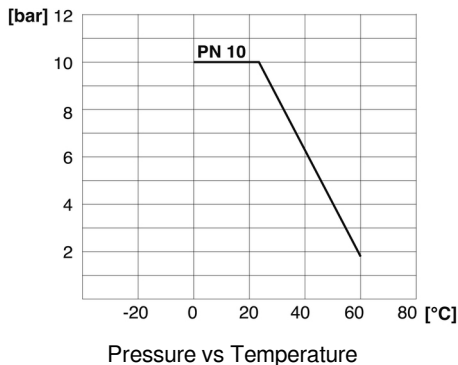
In conformity with **NAMUR VDI/VDE 3845** and **ISO 5211**

Accessories:

(See data-sheet da913-10)

- Limit switches box
- 3/2-way pilot valve for single acting versions
- 5/2-way pilot valves for double-acting version

EC conformity: The instrument meets the legal requirements of the current European Directives.



BAMO INTERNATIONAL

22, Rue de la Voie des Bans · Z.I. de la gare · 95100 ARGENTEUIL
Tel +33 (0)1 30 25 83 20 Web www.bamo.eu
Fax +33 (0)1 34 10 16 05 E-mail export@bamo.fr

Pneumatic butterfly valve
single or double acting
VPP FE-PVC

09-06-2020

D-913.03-EN-AB

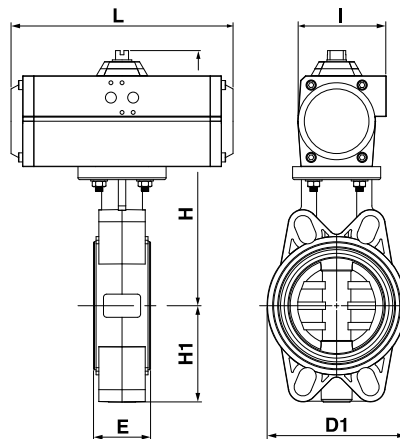
PLAS

913-03/1

CODE NUMBERS AND REFERENCES

ND	d	Single acting N.C.	Single acting N.O.	Double acting
50	63	913 201	913 211	913 221
65	75	913 202	913 212	913 222
80	90	913 203	913 213	913 223
100	110	913 204	913 214	913 224
125	(*) 140	913 205	913 215	913 225
150	160	913 206	913 216	913 226
200	(**) 225	913 207	913 217	913 227

(*): Suitable for ND 125 and Ø 125 mm
 (**): Suitable for DN 200 and Ø 200 mm



DIMENSIONS [mm]

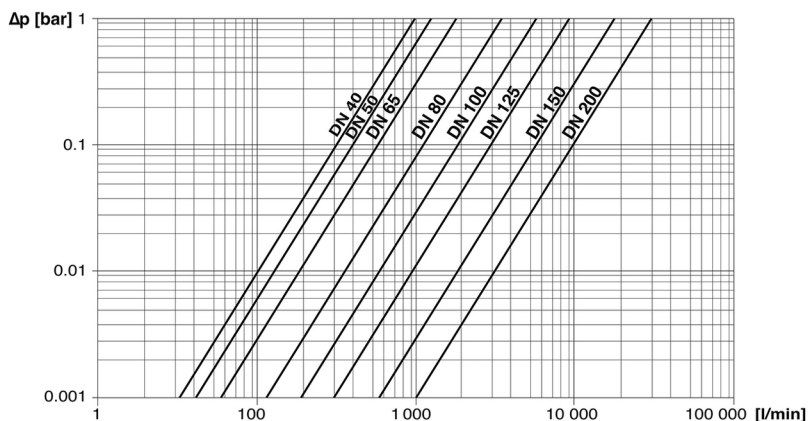
ND	BSP	Single acting (N.O. or N.C.)						Double acting					
		D1	E	I	L	H	H1	D1	E	I	L	H	H1
50	2"	147	43	101	175	236.5	70	147	43	86	160	204	70
65	2 1/2"	165	46	101	175	260	80	165	46	86	160	239	80
80	3"	130	49	138	246	328	90	130	49	101	175	261,5	90
100	4"	150	56	138	246	362	105	150	56	101	175	279	105
125	5"	185	64	138	290	363	121	185	64	96	239	310	121
150	6"	210	70	151		388	132	210	70	138	290	354	132
200	8"	325	71	185	361	475	161	325	71	138	246	423	161

Wafer mounting, tightening torques:

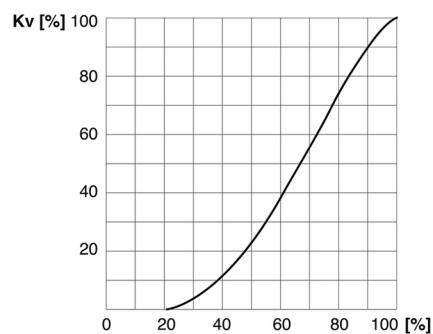
ND 65: 15 N.m	ND 80: 18 N.m	ND 100: 20 N.m	ND 150: 40 N.m	ND 200: 55 N.m
---------------	---------------	----------------	----------------	----------------

PHYSICAL FEATURES

Pressure drop vs. flow (Water at 20 °C)



Kv vs. Opening angle (in %)



Flow Factor Kv (water at 20 °C):

ND 50	ND 65	ND 80	ND 100	ND 125	ND150	ND 200
1,285 l/min	1,700 l/min	3,550 l/min	5,900 l/min	9,850 l/min	18,700 l/min	30,500 l/min

BAMO INTERNATIONAL

22, Rue de la Voie des Bans · Z.I. de la gare · 95100 ARGENTEUIL
 Tel +33 (0)1 30 25 83 20 Web www.bamo.eu
 Fax +33 (0)1 34 10 16 05 E-mail export@bamo.fr

Pneumatic butterfly valve
 single or double acting
VPP FE-PVC

09-06-2020

D-913.03-EN-AB

PLAS

913-03/2