

Pneumatic butterfly valves, single or double acting VPP K4-PPH



- Valves in PPG from ND 65 up to ND 200
- Radial mounting and dismounting
- Pneumatic actuator
 - Single or double acting
 - Status N.C. or N.O.
- Position pointer
- OPTIONS:
 - Limit switches box
 - Pilot valve

DESCRIPTION

Pneumatic actuated butterfly valves controlled by pneumatic actuator single acting (N.C. or N.O) or double acting, are useful to allow or to stop the flow of liquids in piping systems. Wet parts are only the seat, seals and the disk. These valves are suitable for applications even with aggressive liquids.

TECHNICAL FEATURES

Butterfly valve :

Body	PP-G (glass-fiber reinforced)
Seat and seals	EPDM or FPM
Disk	PP
Wafer mounting	Between flanges

Pneumatic actuator

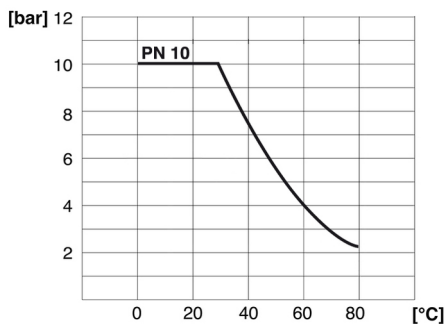
Models	Single acting (or N.O or N.C) versions, or double acting version
Operating pressure	6 bar min., 8 bar max.
Fittings	BSP 1/4" Female

In conformity with directive NAMUR VDI/VDE 3845 and ISO 5211

Accessories:

- (See data-sheet da913-10)
- Limit switches box
 - 3/2-way pilot valves (For single acting versions)
 - 5/2-way pilot valves (For double acting version)

EC Conformity: The instrument meets the legal requirements of the current European Directives.



Pressure vs. Temperature

BAMO INTERNATIONAL

22, Rue de la Voie des Bans · Z.I. de la gare · 95100 ARGENTEUIL
 Tel +33 (0)1 30 25 83 20 Web www.bamo.eu
 Fax +33 (0)1 34 10 16 05 E-mail export@bamo.fr

Pneumatic butterfly valves,
single or double acting
VPP K4-PPH

29-06-2020

D-913.06-EN-AA

PLAS

913-06/1

CODE NUMBERS AND REFERENCES

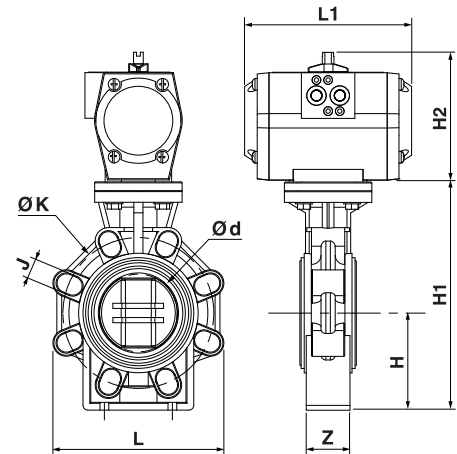
ND	d	Single acting N.C.		Single acting N.O.		Double acting	
		EPDM Seals	FPM seals	EPDM seals	FPM seals	EPDM seals	FPM seals
65	75	913 445	913 450	913 455	913 460	913 465	913 470
80	90	913 446	913 451	913 4556	913 461	913 466	913 471
100	110	913 447	913 452	913 4557	913 462	913 467	913 472
150	160	913 448	913 453	913 4558	913 463	913 468	913 473
200	225	913 449	913 454	913 4559	913 464	913 469	913 474

DIMENSIONS [mm]

ND	d	H	H1	H2	L	L1	Z	K	J
65	75	100	232	111	133	160	46	127 / 145	19
80	90		239	133	176	175	49	146 / 160	
100	110	115	269	143	206	230	56	175 / 190.5	23
150	160	148	333	162	261	239	70	234.5 / 241.5	
200	225	175	395	196	314	246	71	290 / 298.5	

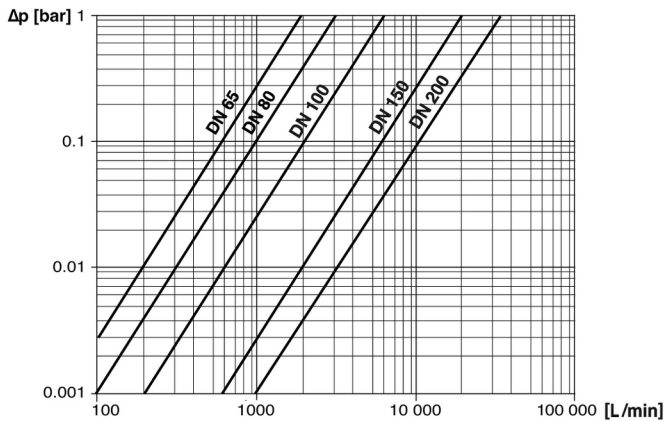
Tightening torques, wafer mounting:

ND 65	ND 80	ND 100	ND 150	ND 200
15 N.m	18 N.m	20 N.m	40 N.m	55 N.m

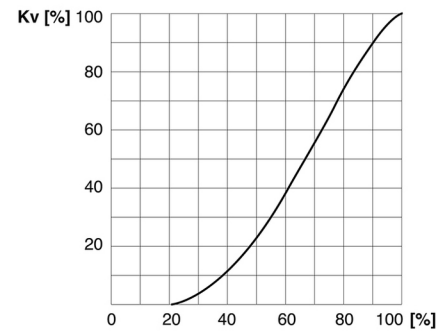


PHYSICAL FEATURES

Pressure drop vs. flow (Water at 20 °C)



Kv vs. Opening angle (in %)



Flow Factor (Kv):

ND 65		ND 80		ND 100		ND 150		ND 200	
Pressure drop									
1 bar	0.001 bar	1 bar	0.001 bar	1 bar	0.001 bar	1 bar	0.001 bar	1 bar	0.001 bar
1,900 l/min	60 l/min	3,100 l/min	100 l/min	6,000 l/min	190 l/min	19,000 l/min	600 l/min	35,000 l/min	1,100 l/min

BAMO INTERNATIONAL

22, Rue de la Voie des Bans · Z.I. de la gare · 95100 ARGENTEUIL
 Tel +33 (0)1 30 25 83 20 Web www.bamo.eu
 Fax +33 (0)1 34 10 16 05 E-mail export@bamo.fr

Pneumatic butterfly valves,
 single or double acting
VPP K4-PPH

29-06-2020

D-913.06-EN-AA

PLAS

913-06/2