

Electric butterfly valve VEP K4-PPH



- PPH valves from ND 50 up to ND 200
- Radial mounting and dismounting
- Electric actuator with pointer and emergency manual override

DESCRIPTION

Electrically actuated butterfly valves are useful to allow or to stop the flow of liquids in piping systems. Wet parts are only the seat, seals and the disk.

These valves are suitable for applications with aggressive liquids, with a pointer, with a manual operating for emergency.

TECHNICAL FEATURES

Butterfly valve:

Body	PP-GF
Seals and seat	EPDM or FPM
Disk	PPH
Wafer mount	Between flanges

Electric actuators:

Operating mode	On-Off mode or 3-points modulating mode
Movement	90°
Emergency override	Manual
Contacts	2 Adjustable limit switches (max. 5A)

Features for ND65 up to ND 125

Multi-voltage power supplies	Or 100 ... 240 V AC 50/60 Hz and 100 ... 350 V DC Or 24 V AC 50/60 Hz and 24 V DC
Consumption	45 W
Duty rating	30 % (Norme IEC34)
Protection	IP 65
Connections	1 Cable gland M20 - ISO 1 connector 3-pole + ground, DIN 43650

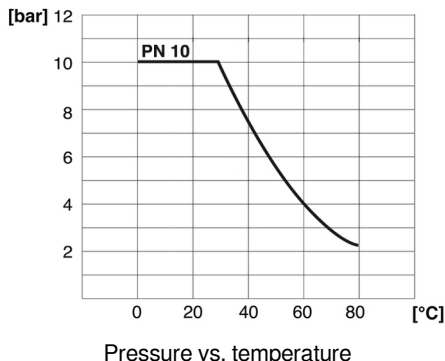
Features for ND 150 up to ND 200

Multi-voltage power supplies	Or 100 ... 240 V AC 50/60 Hz and 100 ... 350 V DC Or 15 ... 30 V AC and 12 ... 48 V DC
Consumption	45 W
Duty rating	50 % (Norme IEC34)
Protection	IP 68
Connections	2 Cable glands M20 - ISO

Options:

Back to 0° in case of power failure

EC Conformity: The instrument meets the legal requirements of the current European Directives



BAMO INTERNATIONAL

22, Rue de la Voie des Bans · Z.I. de la gare · 95100 ARGENTEUIL
Tel +33 (0)1 30 25 83 20 Web www.bamo.eu
Fax +33 (0)1 34 10 16 05 E-mail export@bamo.fr

Electric butterfly valve
VEP K4-PPH

01-07-2020

D-914.06-EN-AA

PLAS

914-06/1

CODE NUMBERS AND REFERENCES

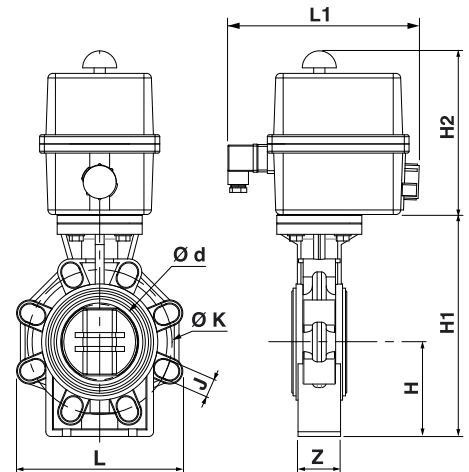
ND	d	24 V AC & 24 V DC		100...240 V AC & 100...350 V DC	
		EPDM seals	FPM seals	EPDM seals	FPM seals
65	75	914 397	914 402	914 407	914 412
80	90	914 398	914 403	914 408	914 413
100	110	914 399	914 404	914 409	914 414
15...30 V AC & 12...48 V DC					
150	160	914 400	914 405	914 410	914 415
200	225	914 401	914 406	914 411	914 416

DIMENSIONS

ND	d	H	H1	H2	L	L1	Z	K	J	
65	75	100	232	177	133	205	46	127 / 145	19	R60
80	90		239		176		49	146 / 160		R100
100	110		269		206		56	175 / 190.5		
150	160	148	333	258	261	275	70	234.5 / 241.5	23	S300
200	225	175	395		314	276	71	290 / 298.5		

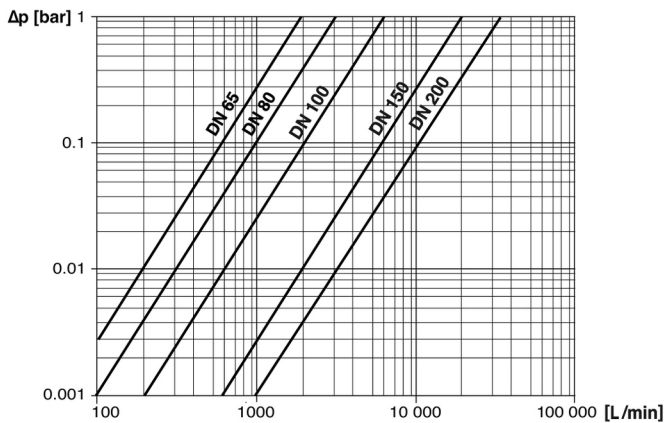
Tightening torques wafer mounting:

ND 65	ND 80	ND 100	ND 150	ND 200
15 N.m	18 N.m	20 N.m	40 N.m	55 N.m

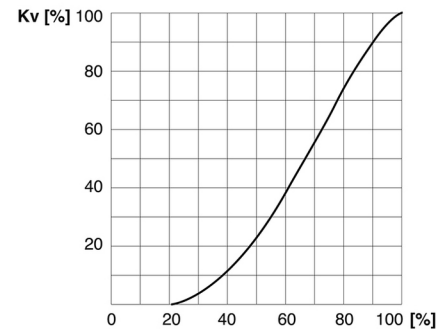


PHYSICAL FEATURES

Pressure drop vs. flow (Water at 20°C)



Kv vs. Opening angle (in %)



Flow Factor (Kv):

ND 65		ND 80		ND 100		ND 150		ND 200	
Pressure drop									
1 bar	0.001 bar	1 bar	0.001 bar	1 bar	0.001 bar	1 bar	0.001 bar	1 bar	0.001 bar
1900 l/min	60 l/min	3100 l/min	100 l/min	6000 l/min	190 l/min	19000 l/min	600 l/min	35000 l/min	1100 l/min

BAMO INTERNATIONAL

22, Rue de la Voie des Bans · Z.I. de la gare · 95100 ARGENTEUIL
 Tel +33 (0)1 30 25 83 20 Web www.bamo.eu
 Fax +33 (0)1 34 10 16 05 E-mail export@bamo.fr

Electric butterfly valve
VEP K4-PPH

01-07-2020

D-914.06-EN-AA

PLAS

914-06/2