

PVC manual butterfly valves VMP FE



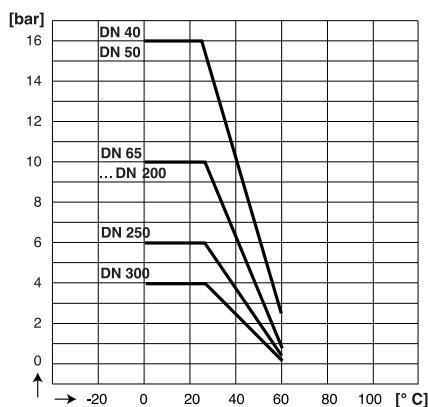
- Secure and padlockable handle
- Multiple adjustment positions
- Wafer mounting, between flanges:
DIN2501, ISO DIS 9624, UNI2223,
BS10 table D/E, ASA B16.5 class 150

DESCRIPTION

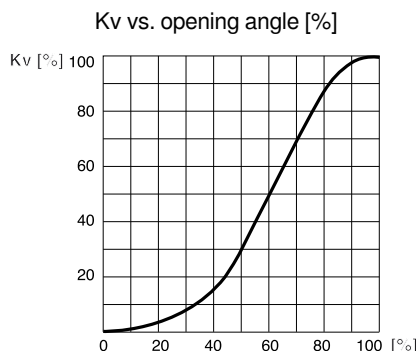
The manual "butterfly" valves are designed for a wafer mounting between flanges of different standards. The "secure handle" version has a metal adapter located between the end of the valve shaft and the handle, preventing premature wear. Wet parts concern the disc, sleeve and sealing.

TECHNICAL FEATURES

Body PVC
Sleeve EPDM
Disc PVC
Mounting Wafer, between flanges
DIN2501, ISO DIS 9624, UNI2223,
BS10 table D/E, ASA B16.5 class 150

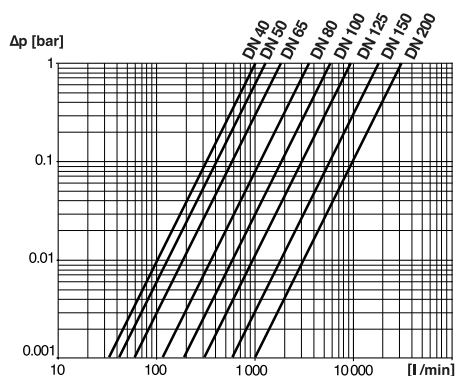


Pressure vs. Temperature



CODE NUMBERS AND REFERENCES

ND	VMP FE, Handle version		VMP FE, Wheel version	
	Code	Reference	Code	Reference
40	945 001	VMP FE - d 50	—	—
50	945 002	VMP FE - d 63	—	—
65	945 003	VMP FE - d 75	945 021	VMP FE - d 75
80	945 004	VMP FE - d 90	945 022	VMP FE - d 90
100	945 005	VMP FE - d 110	945 023	VMP FE - d 110
125	945 006	VMP FE - d 125 / 140	945 024	VMP FE - d 125 / 140
150	945 007	VMP FE - d 160	945 025	VMP FE - d 160
200	945 008	VMP FE - d 200 / 225	945 026	VMP FE - d 200 / 225
250	—	—	945 027	VMP FE - d 250 / 280
300	—	—	945 028	VMP FE - d 315



Pressure drop vs. Flow-rate (water at 20 ° C)

BAMO INTERNATIONAL

22, Rue de la Voie des Bans · Z.I. de la gare · 95100 ARGENTEUIL

Tel +33 (0)1 30 25 83 20 Web www.bamo.eu

Fax +33 (0)1 34 10 16 05 E-mail export@bamo.fr

PVC manual butterfly valves
VMP FE

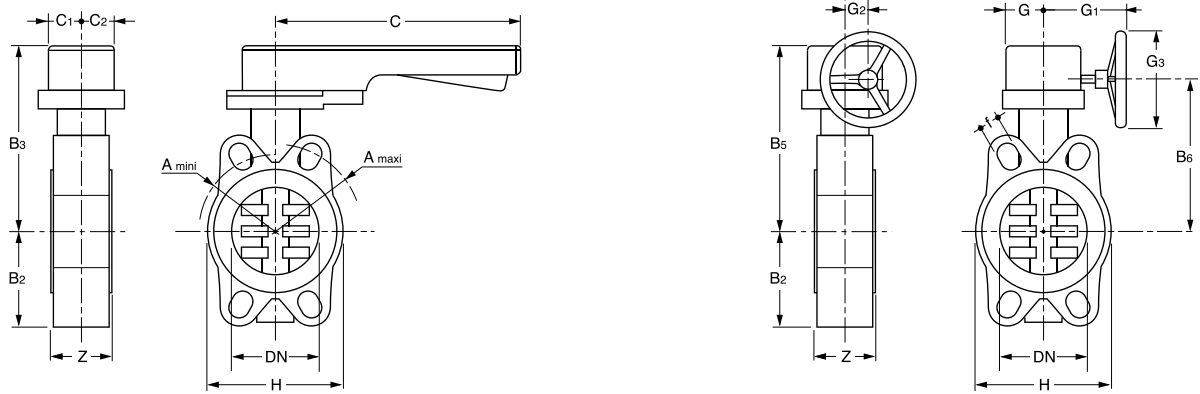
15-02-2021

D-945.05-EN-AA

PLAS

945-05/1

DIMENSIONS [mm]



Handle version

ND	d	PN	B ₂	B ₃	C	C ₁	C ₂	H	Z	A min.	A max.	f	Holes (x)	Mass [kg]
40	50	16	60	136	175	45	42	132	33	93.5	109	19	4	0.8
50	63		70	143				147	43	108	124			1.0
65	75		80	168				165	46	128	144			1.42
80	90	10	90	182	250	45	45	130	49	145	159	23	4	1.64
100	110		105	196				150	56	165	190			1.99
125	125 / 140		121	215				185	64	204	215			3.03
150	160		132	229				210	70	230	242			3.73
200	225 / 200		161	309				325	71	280	298			8.24

Wheel version

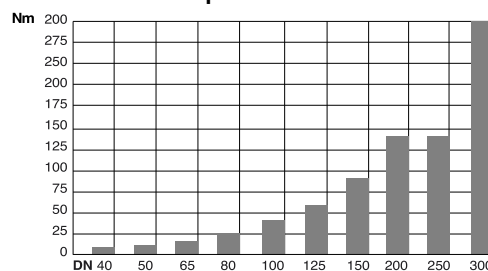
ND	d	PN	B ₂	B ₅	B ₆	G	G ₁	G ₂	G ₃	H	Z	A mini	A maxi	f	Holes (x)	Mass [kg]
65	75	10	80	173	145	48	135	39	125	165	46	128	144	19	4	1.42
80	90		90	187	159					130	49	145	159			1.64
100	110		105	201	173					150	56	165	190			1.99
125	125 / 140		121	220	192					185	64	204	215			3.03
150	160		132	235	207					210	70	230	242			3.73
200	225 / 200	161	288	257	65	175	60	200	325	71	280	298	23	8	8.24	
250	250 / 280	6	210	317	281	88	236	76	250	—	114	335	362	25	12	18.6
300	315	4	245	374	338	88	236	76	250	—	114	390	432	29	12	25.6

PHYSICAL FEATURES

Flow factor Kv, 1 bar, water at 20 ° C

ND	40	50	65	80	100	125	150	200	250	300
d	50	63	75	90	110	125 / 140	160	200 / 225	250 / 280	315
[l/min]	1,000	1,285	1,700	3,550	5,900	9,850	18,700	30,500		

Couple de manœuvre



BAMO

INTERNATIONAL
 22, Rue de la Voie des Bans · Z.I. de la gare · 95100 ARGENTEUIL
 Tel +33 (0)1 30 25 83 20 Web www.bamo.eu
 Fax +33 (0)1 34 10 16 05 E-mail export@bamo.fr

**PVC manual butterfly valves
VMP FE**

PLAS

945-05/2

15-02-2021

D-945.05-EN-AA

945

945