

WATER JET PUMP SP 957



- PVC, PPH, PVDF
- From ND 10 up to ND 80
- For mixing, pump/ vacuum applications
- Suction up to 3 m water column
- Driving liquid: Water
- Suction of Liquid or gas

APPLICATIONS

The water jet pump is used for:

- Pumping
 - Mixing
 - Vacuum
- Flow rate of driving water depends of the nozzle bore diameter.

Suction flow rate depends of:

- Driving water flow rate
 - Jet pump outlet pressure (counter pressure)
 - Fluid density on suction
 - Column height of fluid on suction
- Vacuum will result of parameters: pressure vs. flow rate of driving water.

DESCRIPTION

A nozzle with a calibrated bore is located in the driving flow pipe of the water jet pump. The flow creates a vacuum in the suction tubing.

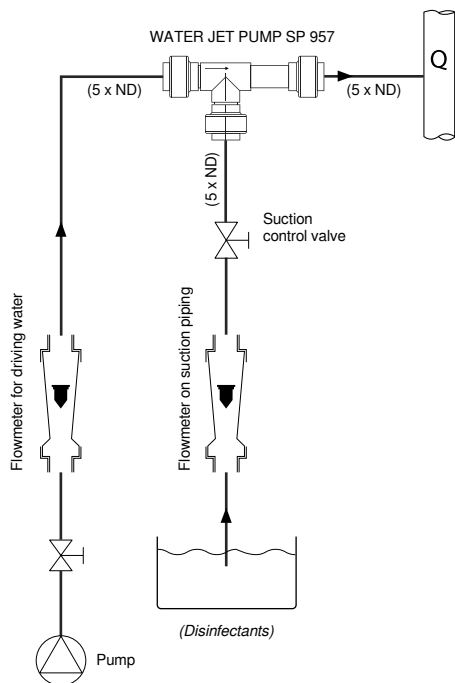
The choice of the jet pump is done from diagrams which include previously mentioned parameters. The jet pump is provided with one undrilled nozzle. Gradual drilling tests should be carried out until the required flow is obtained. Diagrams with empiric values for pressure/bore/flow, according fluids water/water or air/water, are sent on request.

TECHNICAL FEATURES

Pressure limit	10 bar at 20 °C
Temperature limits	PVC: 0 ... +60 °C
	PP: -10 ... +80 °C
	PVDF: -20 ... +100 °C
Sizing	DN 10 ... DN 80
Sealing	O-rings seals, or EPDM, or FPM
Fittings	Socket ends; ND10 to ND50
	Spigot ends; ND65 and ND80

CODE NUMBERS AND REFERENCES

PVC	PPH	PVDF	Reference	Description
957 001	957 101	957 201	P20.10	SP 957 DN 10
957 002	957 102	957 202	P20.15	SP 957 DN 15
957 003	957 103	957 203	P20.20	SP 957 DN 20
957 004	957 104	957 204	P20.25	SP 957 DN 25
957 005	957 105	957 205	P20.32	SP 957 DN 32
957 006	957 106	957 206	P20.40	SP 957 DN 40
957 007	957 107	957 207	P20.50	SP 957 DN 50
957 008	957 108	957 208	P20.65	SP 957 DN 63
957 009	957 109	957 209	P20.80	SP 957 DN 80



Example of use

BAMO INTERNATIONAL

22, Rue de la Voie des Bans · Z.I. de la gare · 95100 ARGENTEUIL

Tel +33 (0)1 30 25 83 20 Web www.bamo.eu

Fax +33 (0)1 34 10 16 05 E-mail export@bamo.fr

WATER JET PUMP
SP 957

25-01-2021

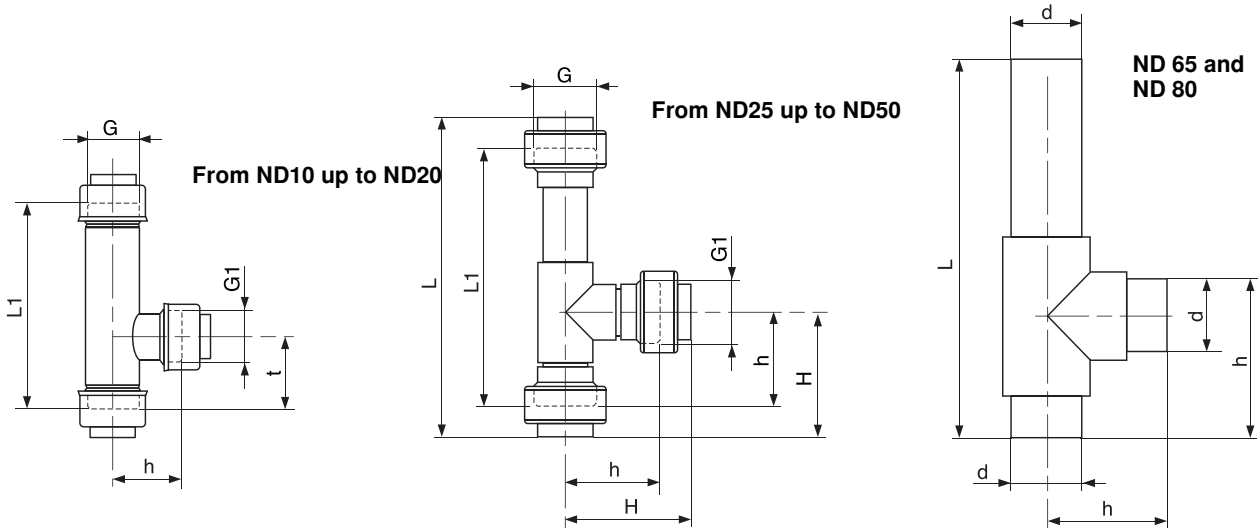
D-957.02-EN-AA

PLAS

957-02/1

DIMENSIONS [mm]

ND	d [mm]	G [inch]	G1 [inch]	L [mm]	L1 [mm]	t [mm]	H [mm]	h [mm]
10	16	¾"	¾"	--	110	40	--	--
15	20	1"			125			
20	25	1 ¼"			145			
25	32	1 ½"	1 ½"	245	195	--	96	--
32	40	2"	2"	297	239		116	
40	50	2 ¼"	2 ¼"	369	301		139	
50	63	2 ¾"	2 ¾"	433	351		169	
65	75	--	--	388	--		--	
80	90	--	--	465	--	--	149	



957

957

BAMO INTERNATIONAL

22, Rue de la Voie des Bans · Z.I. de la gare · 95100 ARGENTEUIL

Tel +33 (0)1 30 25 83 20 Web www.bamo.eu

Fax +33 (0)1 34 10 16 05 E-mail export@bamo.fr

**WATER JET PUMP
SP 957**

25-01-2021

D-957.02-EN-AA

PLAS

957-02/2