

Plastic gauge guards SPM 903



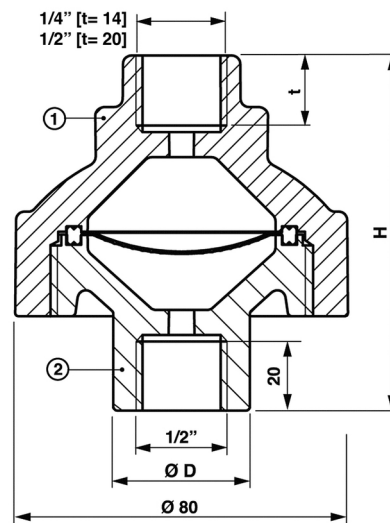
- Base plate: PVC-U, PP, PVDF
- Diaphragm in EPDM; PTFE coated
- For aggressive and/or ultrapure liquids
- No metal parts
- OEM versions on request

DESCRIPTION

Pressure gauge guards SPM 903, are suitable to protect sensors against the destroying effects of aggressive liquids. Their design, all in plastic, PTFE coated diaphragm, insure a high chemical resistance. Pressure from process is transferred to sensor through an incompressible liquid such as oil. Fitting of guard to sensor is done under vacuum. We accept to fit on our guards, specific pressure sensors from Customers (please ask us before a quotation).

TECHNICAL FEATURES

Upper cover (1)	PPG (glass fibre reinforced PP)
Base plate (2)	PVC-U, PP, PVDF
Diaphragm	EPDM coated PTFE
Process connection	1/2" G
Instrument fitting	1/2" or 1/4" G
Pressure limit	10 bar at 20 °C as a maximum
Temperature limits	0...+60 °C with PVC-U base plate
(for the liquid in process)	+10 ... +80 °C with PP base plate
	-30 ... +100 °C (for PVDF base plate)



(Dimensions in mm)

PVC: Ø D = 40	PP, PVDF: Ø D = 33.5	PVC: H = 89	PP, PVDF: H = 83
---------------	----------------------	-------------	------------------

BAMO INTERNATIONAL

22, Rue de la Voie des Bans · Z.I. de la gare · 95100 ARGENTEUIL
 Tel +33 (0)1 30 25 83 20 Web www.bamo.eu
 Fax +33 (0)1 34 10 16 05 E-mail export@bamo.fr

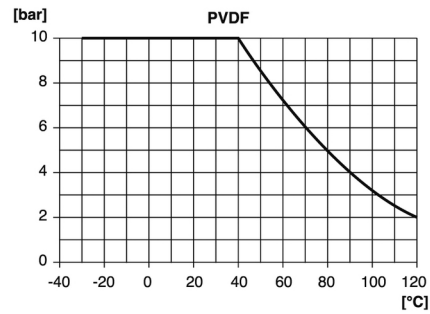
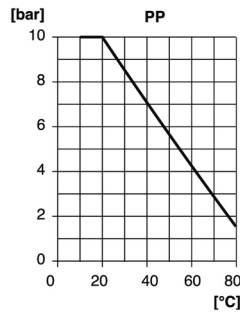
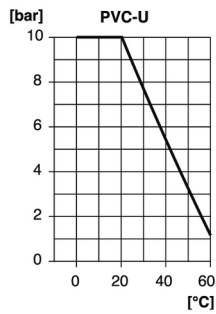
Plastic gauge guards
SPM 903

05-10-2020

D-903.02-EN-AC

PLAS

903-02/1



Pressure limit vs. temperature

CODE NUMBERS AND REFERENCES

Process connection	Sensor fitting	PVC	PP	PVDF
1/2" GAZ	1/2" GAZ	903 100	903 200	903 250
1/2" GAZ	1/4" GAZ	903 104	903 204	903 254

RECOMMENDATIONS

When guard is supplied alone, the end-user must fill the system guard + sensor, under vacuum, with an appropriate liquid. Without liquid the measure is false and diaphragm will be destroyed.

The system sensor + gauge guard, may be mounted in any position.

To install the system do not use the gauge as a handle. Use hexagonal wrench on the guard.

Caution: modifying the position of the gauge against the separator will change the inside pressure of filling liquid.

To test a system guard + sensor, never push on the diaphragm with any object.

Never disassemble a sensor from its guard.

When accidentally the gauge is separated from guard, you have to send back the both parts to our factory.

Damaged diaphragm and modified position of the sensor against the guard, are not covered by the warranty.



Example of use

BAMO INTERNATIONAL

22, Rue de la Voie des Bans · Z.I. de la gare · 95100 ARGENTEUIL

Tel +33 (0)1 30 25 83 20 Web www.bamo.eu

Fax +33 (0)1 34 10 16 05 E-mail export@bamo.fr

Plastic gauge guards
SPM 903

05-10-2020

D-903.02-EN-AC

PLAS

903-02/2