

# Angle seat valve VVDV



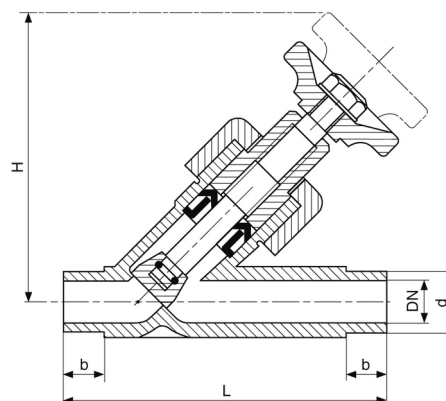
- Mounting in any position
- Direct maintenance in-line
- Fine adjustment of flow rate

## DESCRIPTION

Angle seat valves VVDV are designed for clean liquids and applications such as flow rate adjustment or replacement of stop valves. These valves, which can be installed in any position, are designed for maintenance without disassembling the piping.

## TECHNICAL FEATURES

Body	PVC
O-ring seal	EPDM
Seat sealing	PE
Fittings	Spigot ends for solvent welding Unions on request
Pressure limit	NP 16 bar for ND 10 to 25 mm NP 10 bar for ND 32 to 50 mm



## CODE NUMBERS AND DIMENSIONS

Code	d	DN	R	L	b	H	D	Mass [g]
AD 054 164	16	10	3/8"	114	14	124	60	150
AD 054 165	20	15	1/2"	124	16	124	60	160
AD 054 166	25	20	3/4"	145	19	146	60	250
AD 054 167	32	25	1"	154	22	173	70	380
AD 054 168	40	32	1 1/4"	175	26	195	85	580
AD 054 169	50	40	1 1/2"	194,5	31	222	105	820
AD 054 170	60	50	2"	223,5	38	269	130	1345

**BAMO** INTERNATIONAL

22, Rue de la Voie des Bans · Z.I. de la gare · 95100 ARGENTEUIL

Tel +33 (0)1 30 25 83 20 Web [www.bamo.eu](http://www.bamo.eu)

Fax +33 (0)1 34 10 16 05 E-mail [export@bamo.fr](mailto:export@bamo.fr)

Angle seat valve  
VVDV

07-11-2019

D-930.01-EN-AB

PLAS

930-01 /1