

3-way pneumatic valves, single or double acting VP3V - INOX



- Stainless steel valve body
- Fittings from 1/4" up to 2"
- Pneumatic actuator
Single or double acting
- Position pointer
- **OPTIONS:**
Limit switches box
Pilot solenoid valve

DESCRIPTION

These 3-way ball valves, L or T bored, controlled by single or double acting pneumatic actuator, allow many possibilities of controlling the direction of the liquid. These valves are suitable for applications with aggressive liquids. The different operating modes are described in the data-sheet da913-20.

TECHNICAL FEATURES

3-way ball valve:

Body	AISI 316
Seal	PTFE
Ball	AISI 316
Ball seat	PTFE + 15 % glassfiber
Fittings	BSPF
Pressure limit	40 bar
Operating temperature	-30 ... +100 °C; Up to 140 °C: on request Over 100 °C: On request

Pneumatic actuator

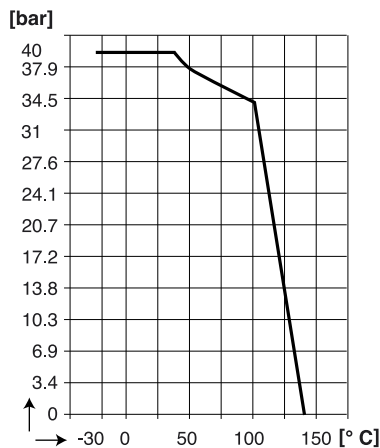
Models	Single acting or N.O., or N.C., or Double acting
Operating pressure	Min. 6 bar; Max. 8 bar
Fittings	1/4" G

Conformity to NAMUR VDI/VDE 3845 and ISO 5211

Accessories:

- (See data-sheet da913-10)
- Limit switches box
 - Pilot solenoid valves 3/2 way (For single acting versions)
 - Pilot solenoid valves 5/2 way (For double acting version)
 - Brass exhaust silencer

EC Conformity: The instrument meets the legal requirements of the current European Directives.



Pressure vs. Temperature

BAMO INTERNATIONAL

22, Rue de la Voie des Bans · Z.I. de la gare · 95100 ARGENTEUIL
Tel +33 (0)1 30 25 83 20 Web www.bamo.eu
Fax +33 (0)1 34 10 16 05 E-mail export@bamo.fr

3-way pneumatic valves,
single or double acting
VP3V - INOX

11-12-2019

D-1013.02-EN-AC

METAL

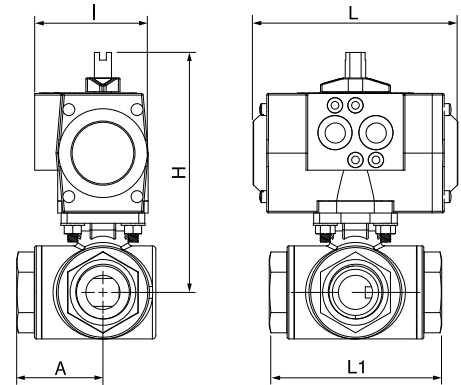
1013-02 /1

CODE NUMBERS AND REFERENCES

BSPF	ND	Single acting		Double acting	
		L bore	T bore	L bore	T bore
1/4"	10	M 1013 101	M 1013 121	M 1013 141	M 1013 161
3/8"	12	M 1013 102	M 1013 122	M 1013 142	M 1013 162
1/2"	15	M 1013 103	M 1013 123	M 1013 143	M 1013 163
3/4"	20	M 1013 104	M 1013 124	M 1013 144	M 1013 164
1"	25	M 1013 105	M 1013 125	M 1013 145	M 1013 165
1 1/4"	32	M 1013 106	M 1013 126	M 1013 146	M 1013 166
1 1/2"	40	M 1013 107	M 1013 127	M 1013 147	M 1013 167
2"	50	M 1013 108	M 1013 128	M 1013 148	M 1013 168

DIMENSIONS [mm]

BSPF	ND	Single acting					Double acting				
		A	L1	I	L	H	A	L1	I	L	H
1/4"	10	40	80	67	119	127	40	80	67	119	127
3/8"	12										
1/2"	15	44	80	86	160	147	44	88	86	160	132
3/4"	20										
1"	25	50	100	101	175	180	50	100	86	160	158
1 1/4"	32	61	123	96	239	195	61	123	86	160	163
1 1/2"	40	71	149	113	230	219	71	149	101	175	190
2"	50	85	171	138	246	262	85	171	96	239	209



BAMO INTERNATIONAL

22, Rue de la Voie des Bans · Z.I. de la gare · 95100 ARGENTEUIL

Tel +33 (0)1 30 25 83 20 Web www.bamo.eu

Fax +33 (0)1 34 10 16 05 E-mail export@bamo.fr

3-way pneumatic valves,
single or double acting
VP3V - INOX

11-12-2019

D-1013.02-EN-AC

METAL

1013-02 /2